



UL-P100

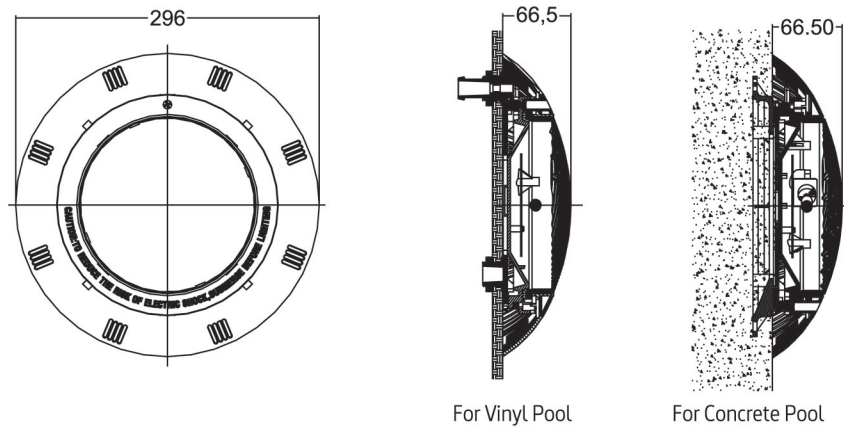


**Plastic Underwater Light: P100 Series**

**Features**

- Material: ABS + UV stabilizer
- Cable: 2.5m
- Waterproof: IP68
- Installation: Wall Mounted (Flat type)

Code	Model No	Description	Watt/Voltage	Lumination (LUX)	Remarks
		Round Underwater Light, Halogen Light Bulb, For Concrete Pool & Vinyl Pool	75W / 12V	300(Red) 260(Green) 180(Blue) 480(No lens)	Colour lens (Red/Green/Blue)



For Vinyl Pool

For Concrete Pool

**Plastic Underwater Light: TP100 Series**

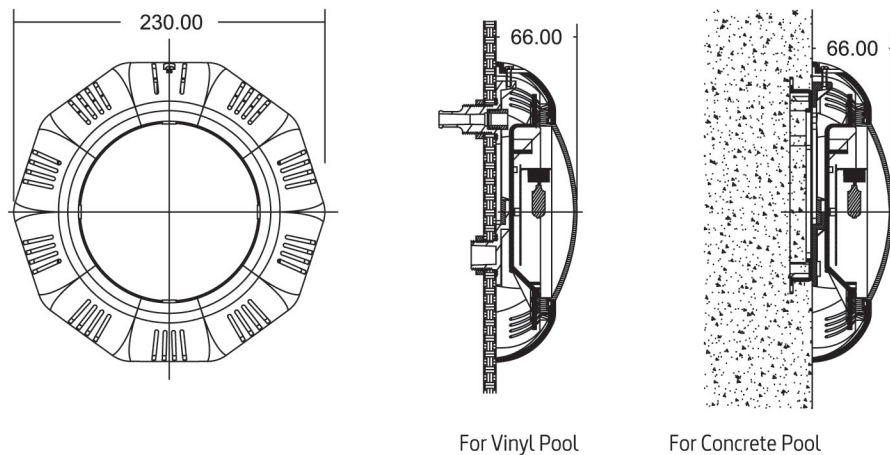
**Features**

- Material: ABS + UV stabilizer
- Cable: 2.5m
- Waterproof: IP68
- Installation: Wall Mounted (Flat type)



Gradual Colour Change

Code	Model No	Description	Watt/Voltage	Lumination (LUX)	Remarks
88040652	LED-TP100	Octagonal Underwater Light, 198 LEDs light panel, For Concrete Pool & Vinyl Pool	8W / 12V	250(Colour) 180(White)	Auto Colour Change / White



For Vinyl Pool

For Concrete Pool

**Underwater Light  
Wall Hang Type  
By Emaux**

with over 35 years of solid experience and expertise together with our devoted staffs, Emaux has evolved from a Swimming Pool and Spa Equipment manufacturer to a company that is focused in Water Technology. A company that provides solutions to clients in water related issues

**Your solution in water technology**



Photos are for reference only,  
contents are subject  
to change without prior notice.



40/2 Soi 37/2, Kingkaew Road, Samutprakarn 10540, Thailand  
Tel: +662-738-5088-99, +662-175-2561-65  
Fax: +662-738 5299, +662-738-4209  
Email: sales@poolspa.co.th, projects@poolspa.co.th  
Website: www.poolspa.co.th

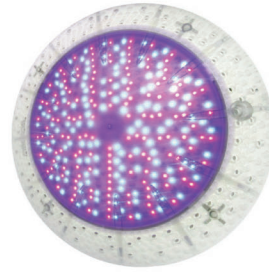
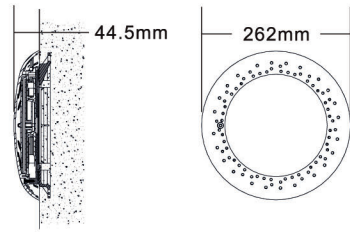




**E-Lumen Underwater Light**



EMAUX's E-Lumen underwater light is the industrial leading Nicheless LED pool and spa light, designed to delivery brilliant and vibrant colors by a single light. The single color options maximize the brightness of your pool. The party themes run through your pool and spa by E-Lumen 6 brilliant rich colors and 8 colors pre-programmed light show. The superior designed lens gives the easy access and higher efficiency to maintain the condition with pool cleaners



IP68 CE RoHS

**Product Features**

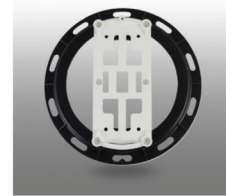
- Combines Ultra-Thin LED panel technology
- Superior geometric lens strengthen the light beam throughout the wide angle lens and lighten the entire pool
- Up to 25,000 hours lifetime, 10 times more than traditional lights
- Unlike other LED lights, E-Lumen keeps working even a single LED bulb goes out
- Change the mood of your pool and spa by pressing on/off button
- Waterproof Standard: IP68
- With 2.5m safety rubber cable

**Product Code and Specification**

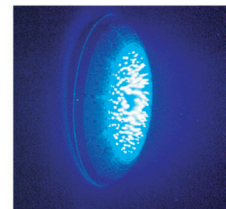
Code	Model No	Description	Watt/Voltage	Lumination (LUX)	Remarks
88045560	E-Lumen-252	Wall Mounted Light 252 leds cool white	20W/12V	346	Cool White (20000K)
88045561	E-Lumen-252	Wall Mounted Light 252 leds warm white	20W/12V	415	Warm White (4000K)
88045565	E-Lumen-252	Wall Mounted Light 252 leds single blue	20W/12V	52	Single Blue
88045559	E-Lumen-252	Wall Mounted Light 252 leds RGB	20W/12V	166	RGB - 14 Modes
88045555	E-Lumen-441	Wall Mounted Light 441 leds cool white	35W/12V	550	Cool White (20000K)
88045558	E-Lumen-441	Wall Mounted Light 441 leds warm white	35W/12V	613	Warm White (4000K)
88045566	E-Lumen-441	Wall Mounted Light 441 leds single blue	35W/12V	78	Single Blue
88045554	E-Lumen-441	Wall Mounted Light 441 leds RGB	35W/12V	273	RGB - 14 Modes
88045563	E-Lumen-531	Wall Mounted Light 531 leds cool white	50W/12V	608	Cool White (20000K)
88045564	E-Lumen-531	Wall Mounted Light 531 leds warm white	50W/12V	634	Warm White (4000K)
88045567	E-Lumen-531	Wall Mounted Light 531 leds single blue	50W/12V	158	Single Blue
88045562	E-Lumen-531	Wall Mounted Light 531 leds RGB	50W/12V	316	RGB - 14 Modes



Mounting Plate



Mounting Bracket



Actual Effect

**Remote Control & Control Box for Multiple Lights**

The AC power of 600W at maximum fed into the control box is divided into 2 lines each of which can support up to 300W of load (10 LED lights). The control for lights on the same line is by nature synchronized meanwhile synchronization of control over both lines (all lights) is possible.

**Features**

- Maximum load of 600W with power indicator
- Made from fire-proof ABS material
- Electrical overload & leakage protection
- Two control modes-manual mode and timer mode in which the ON/OFF time of load can be set.
- 65 IP rating suitable for outdoor use.
- A remote control is provided to interact with control box from distance.
- Simple and easy operation with 4 keys:
- 8 effects are numbered; RESET key set all lights to the first effect;
- POOL and SPA key are used to change effect of lights connected to POOL line and SPA line respectively;
- S+P key can change effect of all lights at the same time.



Remote Control



Underwater Light Control Box

Code	Model No	Description
08040009	N/A	Underwater Light Control Box with Remote (2*300W/220-240V)

Photos are for reference only, contents are subject to change without prior notice.



**Stainless Steel Underwater Light : NS75 Series**

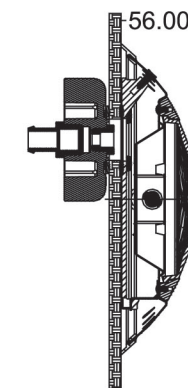
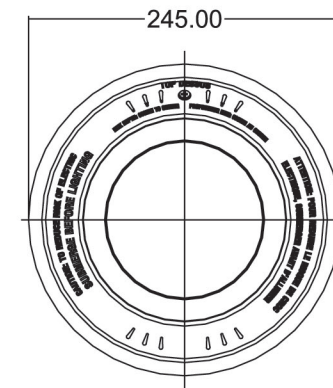
**Features**

- Material: AISI 304 / AISI 316 Stainless Steel
- Cable: 2.5m
- Waterproof: IP68
- Installation: Wall Mounted (Housing type)

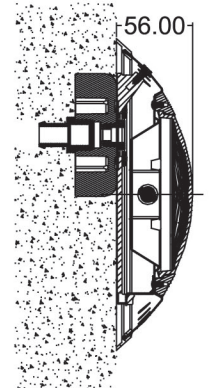
Code	Model No	Description	Watt/Voltage	Lumination (LUX)	Remarks
88043706	UL-NS75	Round Underwater Light, 1 Halogen Light Bulb, For Concrete Pool & Vinyl Pool	75W / 12V	460	White Light



UL-NS75



For Vinyl Pool



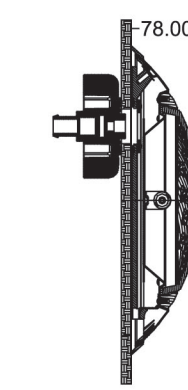
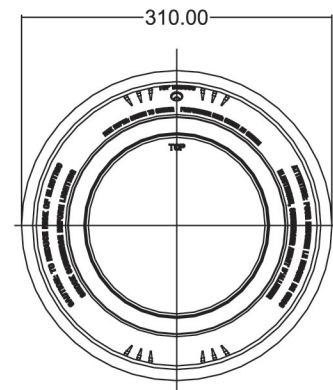
For Concrete Pool

**Stainless Steel Underwater Light : NS150 Series**

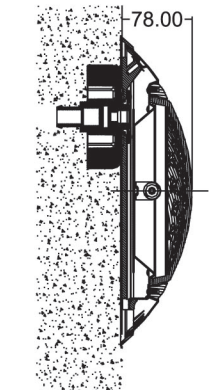
Code	Model No	Description	Watt/Voltage	Lumination (LUX)	Remarks
88043703	UL-NS150	Round Underwater Light, 2 Halogen Light Bulbs, For Concrete Pool & Vinyl Pool	150W / 12V	498	White Light



UL-NS150



For Vinyl Pool



For Concrete Pool

Photos are for reference only, contents are subject to change without prior notice.