



"SE" Series Commercial Pump

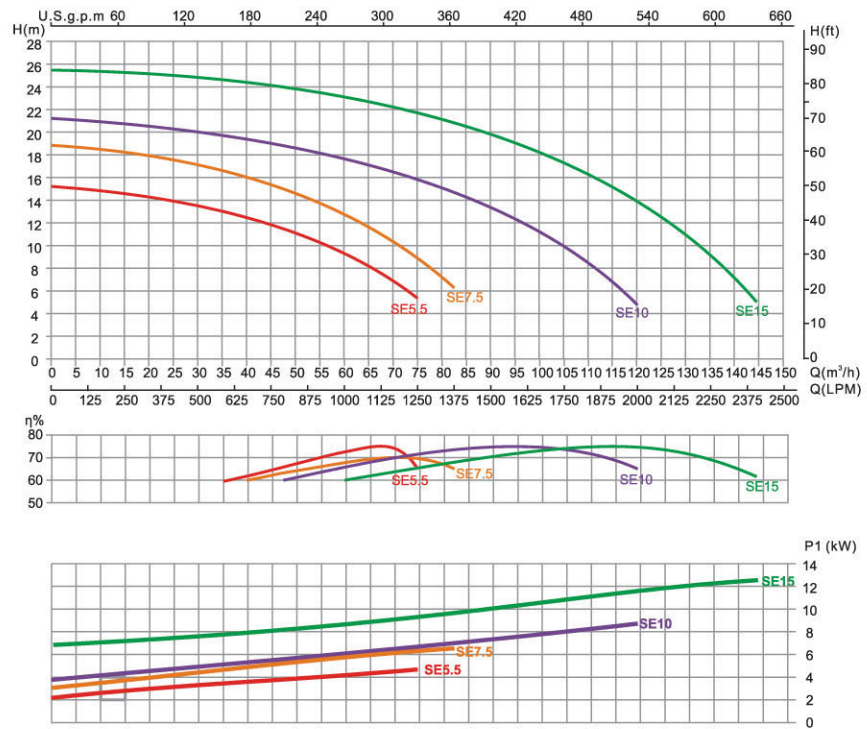
"SE" series heavy duty pump build to cater commercial usage (e.g Large-size swimming pool, spa pool, water feature, etc). Cast iron body with easy to clean large strainer basket. Stainless Steel or Metal Impellers option to match your need. Available with ABB Motor.



Highlight Features:

- Asynchronous, Two poles
- Class insulation: F
- IP55 Waterproof standard
- Built-in thermal protection
- Overload protection
- Available in 380V/50Hz
- Cast Iron or AISI 304 Stainless steel impeller available

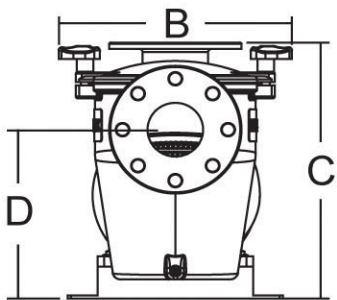
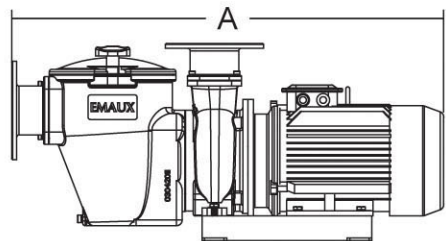
Technical Information



Technical Information & Dimension

Code	Model No	Output power	Horsepower	Input power	Connection Size
88025616	SE5.5	4.0kW	5.5hp	4.7kW	3 inch 90mm
88025611	SE7.5	5.5kW	7.5hp	6.4kW	3 inch 90mm
88025612	SE10	7.5kW	10hp	8.6kW	4 inch 110mm
88025613	SE15	11.0kW	15hp	12.4kW	4 inch 110mm

Model No	A mm	B mm	C mm	D mm	Weight (kg)	Voltage (V)
SE5.5	840	335	415	170	95	380-420
SE7.5	860	335	415	170	100	380-420
SE10	915	335	445	200	118	380-420
SE15	945	335	445	200	130	380-420



SE Series Commercial Pump By Emaux

with over 35 years of solid experience and expertise together with our devoted staffs, Emaux has evolved from a Swimming Pool and Spa Equipment manufacturer to a company that is focused in Water Technology. A company that provides solutions to clients in water related issues

Your solution in water technology

