

Surrounding
Equipment
By Emaux



With over 35 years of solid experience and expertise together with our devoted staffs, Emaux has evolved from a Swimming Pool and Spa Equipment manufacturer to a company that is focused in Water Technology. A company that provides solutions to clients in water related issues

Your solution in water technology



EMAUX[®]
Water Technology

www.emaux.com.au



NSL SERIES LADDER

Handrails in polished stainless steel 304 or 316 (Φ 42mm) tube. Step available in stainless steel and plastic. Complete with anchoring fixtures or flange fixtures.



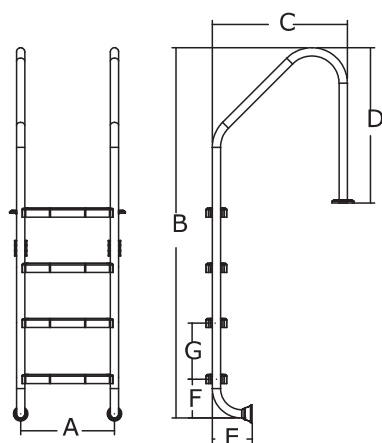
Ancillary Shoring for NSL815

Anchor Type Stainless Steel Step

Code (AISI-304)	Code (AISI-316)	Model	A mm	B mm	C mm	D mm	E mm	F mm	G mm
88072601	88072606	NSL215-S	493	1320	686	788	190	200	250
88072602	88072607	NSL315-S	493	1570	686	788	190	200	250
88072603	88072608	NSL415-S	493	1820	686	788	190	200	250
88072604	88072609	NSL515-S	493	2070	686	788	190	200	250
88072613	88072616	NSL815-S	493	2830	692	699	190	200	250

Anchor Type Stainless Steel Step (anti-slippery pad)

Code (AISI-304)	Code (AISI-316)	Model	A mm	B mm	C mm	D mm	E mm	F mm	G mm
88076501	88076506	NSL215-SR	493	1320	686	788	190	200	250
88076502	88076507	NSL315-SR	493	1570	686	788	190	200	250
88076503	88076508	NSL415-SR	493	1820	686	788	190	200	250
88076504	88076509	NSL515-SR	493	2070	686	788	190	200	250
88076513	88076516	NSL815-SR	493	2830	692	699	190	200	250



Anchor Type Plastic Step

Code (AISI-304)	Code (AISI-316)	Model	A mm	B mm	C mm	D mm	E mm	F mm	G mm
88072701	88072706	NSL215-P	476	1320	686	788	190	200	250
88072702	88072707	NSL315-P	476	1570	686	788	190	200	250
88072703	88072708	NSL415-P	476	1820	686	788	190	200	250
88072704	88072709	NSL515-P	476	2070	686	788	190	200	250
88072713	88072716	NSL815-P	476	2830	692	699	190	200	250



Stainless Steel Step



Stainless Steel Step (anti-slippery pad)



Plastic Step



Anchor Type



SLF SERIES LADDER

Handrails in polished stainless steel 304 or 316 (Φ 42mm) tube. Step available in stainless steel and plastic. Complete with anchoring fixtures or flange fixtures.

Flange Type Stainless Steel Step

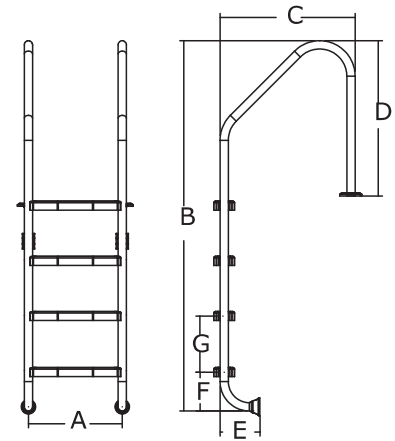
Code (AISI-304)	Code (AISI-316)	Model	A mm	B mm	C mm	D mm	E mm	F mm	G mm
88072001	88072006	SLF215-S	493	1320	686	788	190	200	250
88072002	88072007	SLF315-S	493	1570	686	788	190	200	250
88072003	88072008	SLF415-S	493	1820	686	788	190	200	250
88072004	88072009	SLF515-S	493	2070	686	788	190	200	250
88072013	88072016	SLF815-S	493	2830	692	699	190	200	250



Ancillary Shoring for SLF815

Flange Type Stainless Steel Step (anti-slippery pad)

Code (AISI-304)	Code (AISI-316)	Model	A mm	B mm	C mm	D mm	E mm	F mm	G mm
88077201	88077206	SLF215-SR	493	1320	686	788	190	200	250
88077202	88077207	SLF315-SR	493	1570	686	788	190	200	250
88077203	88077208	SLF415-SR	493	1820	686	788	190	200	250
88077204	88077209	SLF515-SR	493	2070	686	788	190	200	250
88077213	88077216	SLF815-SR	493	2830	692	699	190	200	250



Flange Type Plastic Step

Code (AISI-304)	Code (AISI-316)	Model	A mm	B mm	C mm	D mm	E mm	F mm	G mm
88072101	88072106	SLF215-P	476	1320	686	788	190	200	250
88072102	88072107	SLF315-P	476	1570	686	788	190	200	250
88072103	88072108	SLF415-P	476	1820	686	788	190	200	250
88072104	88072109	SLF515-P	476	2070	686	788	190	200	250
88072113	88072116	SLF815-P	476	2830	692	699	190	200	250



Stainless Steel Step



Stainless Steel Step (anti-slippery pad)



Plastic Step



Flange Type



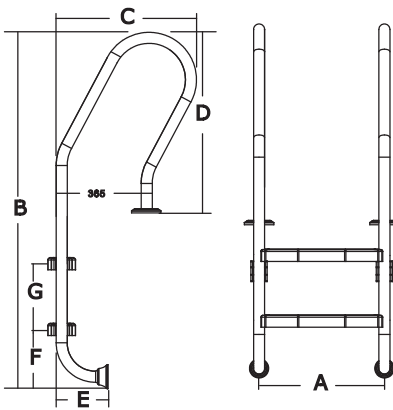
NSF SERIES LADDER

Handrails in polished stainless steel 304 or 316 (Φ 42mm) tube. Step available in stainless steel and plastic. Complete with anchoring fixtures or flange fixtures.



Anchor Type Stainless Steel Step

Code (AISI-304)	Code (AISI-316)	Model	A mm	B mm	C mm	D mm	E mm	F mm	G mm
88072401	88072406	NSF215-S	493	1330	533	709	190	200	250
88072402	88072407	NSF315-S	493	1580	533	709	190	200	250
88072403	88072408	NSF415-S	493	1830	533	709	190	200	250
88072404	88072409	NSF515-S	493	2080	533	709	190	200	250



Anchor Type Stainless Steel Step (anti-slippery pad)

Code (AISI-304)	Code (AISI-316)	Model	A mm	B mm	C mm	D mm	E mm	F mm	G mm
88076701	88076706	NSF215-SR	493	1330	533	709	190	200	250
88076702	88076707	NSF315-SR	493	1580	533	709	190	200	250
88076703	88076708	NSF415-SR	493	1830	533	709	190	200	250
88076704	88076709	NSF515-SR	493	2080	533	709	190	200	250

Anchor Type Plastic Step

Code (AISI-304)	Code (AISI-316)	Model	A mm	B mm	C mm	D mm	E mm	F mm	G mm
88072501	88072506	NSF215-P	476	1330	533	709	190	200	250
88072502	88072507	NSF315-P	476	1580	533	709	190	200	250
88072503	88072508	NSF415-P	476	1830	533	709	190	200	250
88072504	88072509	NSF515-P	476	2080	533	709	190	200	250



Stainless Steel Step



Stainless Steel Step
(anti-slippery pad)



Plastic Step



Anchor Type



SFF SERIES LADDER

Handrails in polished stainless steel 304 or 316 (Φ 42mm) tube. Step available in stainless steel and plastic. Complete with anchoring fixtures or flange fixtures.

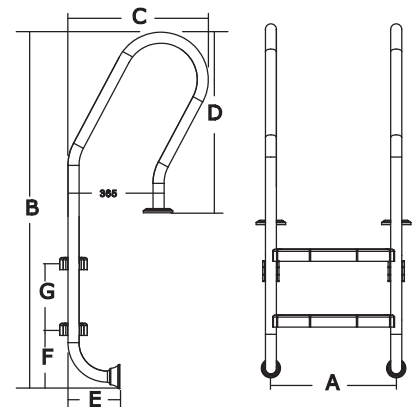
Flange Type Stainless Steel Step

Code (AISI-304)	Code (AISI-316)	Model	A mm	B mm	C mm	D mm	E mm	F mm	G mm
88071801	88071806	SFF215-S	493	1330	533	709	190	200	250
88071802	88071807	SFF315-S	493	1580	533	709	190	200	250
88071803	88071808	SFF415-S	493	1830	533	709	190	200	250
88071804	88071809	SFF515-S	493	2080	533	709	190	200	250



Flange Type Stainless Steel Step (anti-slippery pad)

Code (AISI-304)	Code (AISI-316)	Model	A mm	B mm	C mm	D mm	E mm	F mm	G mm
88077401	88077406	SFF215-SR	493	1330	533	709	190	200	250
88077402	88077407	SFF315-SR	493	1580	533	709	190	200	250
88077403	88077408	SFF415-SR	493	1830	533	709	190	200	250
88077404	88077409	SFF515-SR	493	2080	533	709	190	200	250



Flange Type Plastic Step

Code (AISI-304)	Code (AISI-316)	Model	A mm	B mm	C mm	D mm	E mm	F mm	G mm
88071901	88071906	SFF215-P	476	1330	533	709	190	200	250
88071902	88071907	SFF315-P	476	1580	533	709	190	200	250
88071903	88071908	SFF415-P	476	1830	533	709	190	200	250
88071904	88071909	SFF515-P	476	2080	533	709	190	200	250



Stainless Steel Step



Stainless Steel Step
(anti-slippery pad)



Plastic Step



Flange Type



NMU SERIES LADDER

Handrails in polished stainless steel 304 or 316 (Φ 42mm) tube. Step available in stainless steel and plastic. Complete with anchoring fixtures or flange fixtures.

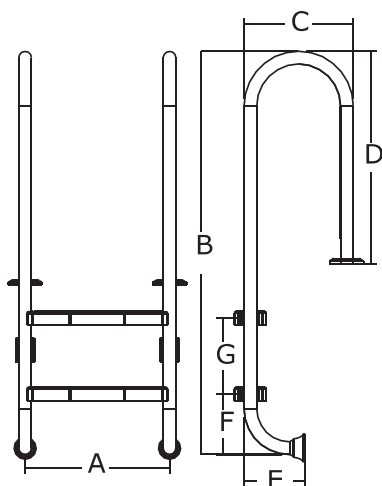


Anchor Type Stainless Steel Step

Code (AISI-304)	Code (AISI-316)	Model	A mm	B mm	C mm	D mm	E mm	F mm	G mm
88072801	88072806	NMU215-S	493	1330	360	700	190	200	250
88072802	88072807	NMU315-S	493	1580	360	700	190	200	250
88072803	88072808	NMU415-S	493	1830	360	700	190	200	250
88072804	88072809	NMU515-S	493	2080	360	700	190	200	250

Anchor Type Stainless Steel Step (anti-slippery pad)

Code (AISI-304)	Code (AISI-316)	Model	A mm	B mm	C mm	D mm	E mm	F mm	G mm
88076601	88076606	NMU215-SR	493	1330	360	700	190	200	250
88076602	88076607	NMU315-SR	493	1580	360	700	190	200	250
88076603	88076608	NMU415-SR	493	1830	360	700	190	200	250
88076604	88076609	NMU515-SR	493	2080	360	700	190	200	250



Anchor Type Plastic Step

Code (AISI-304)	Code (AISI-316)	Model	A mm	B mm	C mm	D mm	E mm	F mm	G mm
88072901	88072906	NMU215-P	476	1330	360	700	190	200	250
88072902	88072907	NMU315-P	476	1580	360	700	190	200	250
88072903	88072908	NMU415-P	476	1830	360	700	190	200	250
88072904	88072909	NMU515-P	476	2080	360	700	190	200	250



Stainless Steel Step



Stainless Steel Step
(anti-slippery pad)



Plastic Step



Anchor Type



MUF SERIES LADDER

Handrails in polished stainless steel 304 or 316 (Φ 42mm) tube. Step available in stainless steel and plastic. Complete with anchoring fixtures or flange fixtures.

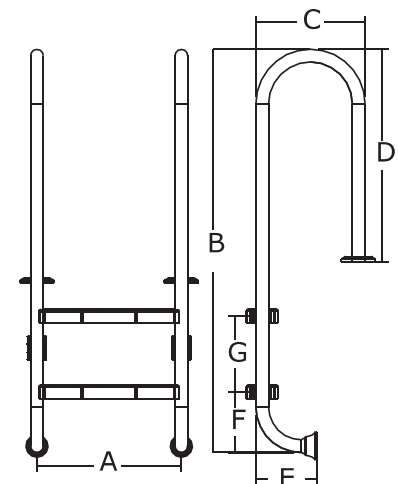
Flange Type Stainless Steel Step

Code (AISI-304)	Code (AISI-316)	Model	A mm	B mm	C mm	D mm	E mm	F mm	G mm
88072201	88072206	MUF215-S	493	1330	360	700	190	200	250
88072202	88072207	MUF315-S	493	1580	360	700	190	200	250
88072203	88072208	MUF415-S	493	1830	360	700	190	200	250
88072204	88072209	MUF515-S	493	2080	360 <td 700	190	200	250	



Flange Type Stainless Steel Step (anti-slippery pad)

Code (AISI-304)	Code (AISI-316)	Model	A mm	B mm	C mm	D mm	E mm	F mm	G mm
88077301	88077306	MUF215-SR	493	1330	360	700	190	200	250
88077302	88077307	MUF315-SR	493	1580	360	700	190	200	250
88077303	88077308	MUF415-SR	493	1830	360	700	190	200	250
88077304	88077309	MUF515-SR	493	2080	360	700	190	200	250



Flange Type Plastic Step

Code (AISI-304)	Code (AISI-316)	Model	A mm	B mm	C mm	D mm	E mm	F mm	G mm
88072301	88072306	MUF215-P	476	1330	360	700	190	200	250
88072302	88072307	MUF315-P	476	1580	360	700	190	200	250
88072303	88072308	MUF415-P	476	1830	360	700	190	200	250
88072304	88072309	MUF515-P	476	2080	360	700	190	200	250



Stainless Steel Step



Stainless Steel Step
(anti-slippery pad)



Plastic Step



Flange Type



OF SERIES OVERFLOW LADDERS

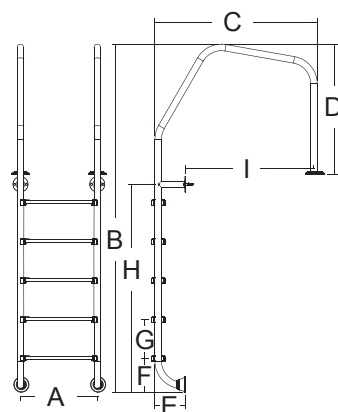
With polished Stainless Steel pipe (Φ 42mm), this new ladder is specially designed for overflow pool with attractive appearance. Easily installed with anchoring or flange fixtures. Rails and steps in both AISI-304 and AISI-316 available.



Anchor Type Stainless Steel Step

Code (AISI-304)	Code (AISI-316)	Model	A mm	B mm	C mm	D mm	E mm	F mm	G mm	H mm	I mm
88073201	88073206	OF215-S	493	1460	1042	750	190	200	250	561	831
88073202	88073207	OF315-S	493	1710	1042	750	190	200	250	811	831
88073203	88073208	OF415-S	493	1960	1042	750	190	200	250	1061	831
88073204	88073209	OF515-S	493	2210	1042	750	190	200	250	1311	831

Anchor Type Stainless Steel Step (anti-slippery pad)



Code (AISI-304)	Code (AISI-316)	Model	A mm	B mm	C mm	D mm	E mm	F mm	G mm	H mm	I mm
88076801	88076806	OF215-SR	493	1460	1042	750	190	200	250	561	831
88076802	88076807	OF315-SR	493	1710	1042	750	190	200	250	811	831
88076803	88076808	OF415-SR	493	1960	1042	750	190	200	250	1061	831
88076804	88076809	OF515-SR	493	2210	1042	750	190	200	250	1311	831

Anchor Type Plastic Step

Code (AISI-304)	Code (AISI-316)	Model	A mm	B mm	C mm	D mm	E mm	F mm	G mm	H mm	I mm
88073301	88073306	OF215-P	476	1460	1042	750	190	200	250	561	831
88073302	88073307	OF315-P	476	1710	1042	750	190	200	250	811	831
88073303	88073308	OF415-P	476	1960	1042	750	190	200	250	1061	831
88073304	88073309	OF515-P	476	2210	1042	750	190	200	250	1311	831



Stainless Steel Step



Stainless Steel Step
(anti-slippery pad)



Plastic Step



ancillary shoring



Anchor Type



OFF SERIES OVERFLOW LADDERS

With polished Stainless Steel pipe (Φ 42mm), this new ladder is specially designed for overflow pool with attractive appearance. Easily installed with anchoring or flange fixtures. Rails and steps in both AISI-304 and AISI-316 available.

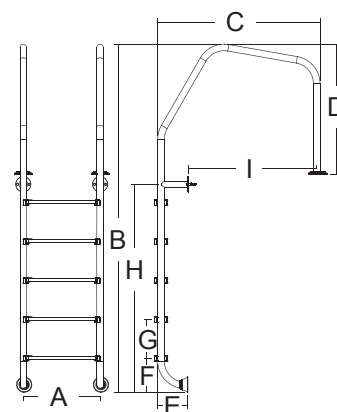
Flange Type Stainless Steel Step

Code (AISI-304)	Code (AISI-316)	Model	A mm	B mm	C mm	D mm	E mm	F mm	G mm	H mm	I mm
88073401	88073406	OFF215-S	493	1460	1042	750	190	200	250	561	831
88073402	88073407	OFF315-S	493	1710	1042	750	190	200	250	811	831
88073403	88073408	OFF415-S	493	1960	1042	750	190	200	250	1061	831
88073404	88073409	OFF515-S	493	2210	1042	750	190	200	250	1311	831



Flange Type Stainless Steel Step (anti-slippery pad)

Code (AISI-304)	Code (AISI-316)	Model	A mm	B mm	C mm	D mm	E mm	F mm	G mm	H mm	I mm
88077501	88077506	OFF215-SR	493	1460	1042	750	190	200	250	561	831
88077502	88077507	OFF315-SR	493	1710	1042	750	190	200	250	811	831
88077503	88077508	OFF415-SR	493	1960	1042	750	190	200	250	1061	831
88077504	88077509	OFF515-SR	493	2210	1042	750	190	200	250	1311	831



Flange Type Plastic Step

Code (AISI-304)	Code (AISI-316)	Model	A mm	B mm	C mm	D mm	E mm	F mm	G mm	H mm	I mm
88073501	88073506	OFF215-P	476	1460	1042	750	190	200	250	561	831
88073502	88073507	OFF315-P	476	1710	1042	750	190	200	250	811	831
88073503	88073508	OFF415-P	476	1960	1042	750	190	200	250	1061	831
88073504	88073509	OFF515-P	476	2210	1042	750	190	200	250	1311	831



Stainless Steel Step



Stainless Steel Step
(anti-slippery pad)



Plastic Step



ancillary shoring



Flange Type



TWO PART LADDER

The Two Part Ladder Design is a great and easy way to match your pool with various top part and bottom part to choose from offering flexibility and easy installation.

TOP PART LADDER

Separate top part design allows flexibility to meet the design of your pool.



Anchor Type



Flange Type

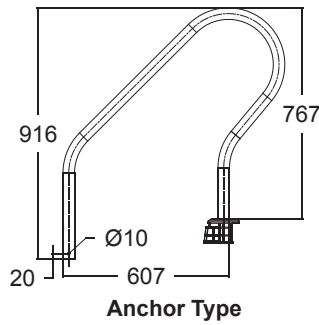
TSF SERIES

Anchor Type

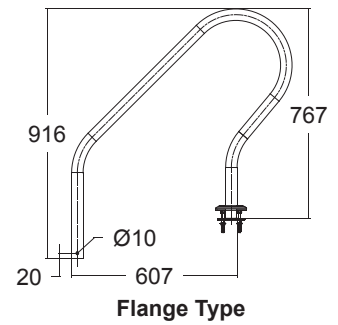
Model	Description	Code
TSF	AISI 304 Exit Handrail	88075305
TSF	AISI 316 Exit Handrail	88075310

Flange Type

Model	Description	Code
TSF-F	AISI 304 Exit Handrail	88075205
TSF-F	AISI 316 Exit Handrail	88075210



Anchor Type



Flange Type

TMU SERIES

Anchor Type

Model	Description	Code
TMU	AISI 304 Exit Handrail	88075505
TMU	AISI 316 Exit Handrail	88075510

Flange Type

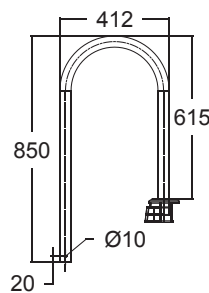
Model	Description	Code
TMU-F	AISI 304 Exit Handrail	88075405
TMU-F	AISI 316 Exit Handrail	88075410



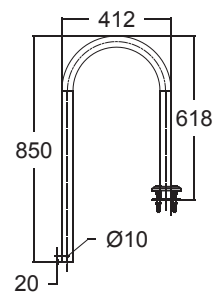
Anchor Type



Flange Type



Anchor Type



Flange Type



TSL SERIES

Anchor Type

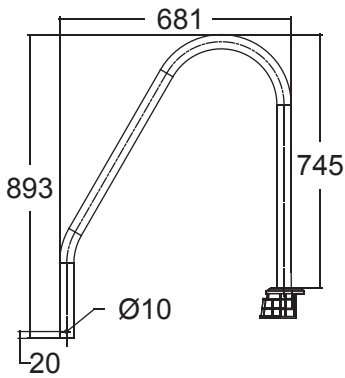
Model	Description	Code
TSL	AISI 304 Exit Handrail	88075705
TSL	AISI 316 Exit Handrail	88075710

Flange Type

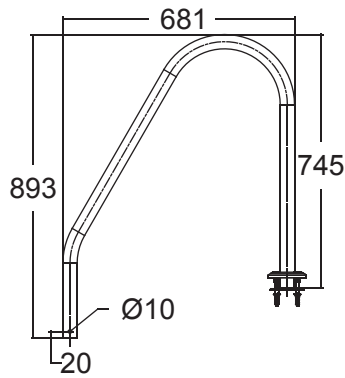
Model	Description	Code
TSL-F	AISI 304 Exit Handrail	88075605
TSL-F	AISI 316 Exit Handrail	88075610



Anchor Type



Anchor Type



Flange Type



Flange Type

TSP SERIES

Anchor Type

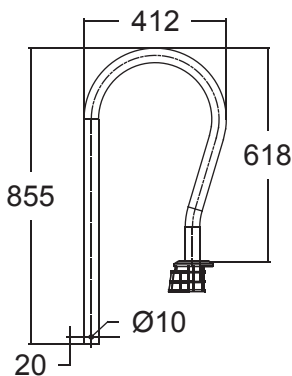
Model	Description	Code
TSP	AISI 304 Exit Handrail	88075905
TSP	AISI 316 Exit Handrail	88075910

Flange Type

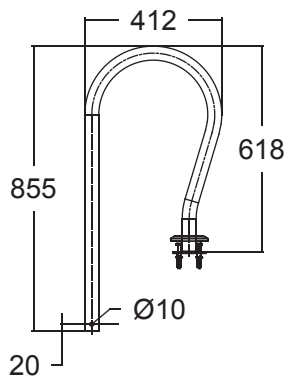
Model	Description	Code
TSP-F	AISI 304 Exit Handrail	88075805
TSP-F	AISI 316 Exit Handrail	88075810



Anchor Type



Anchor Type



Flange Type



Flange Type



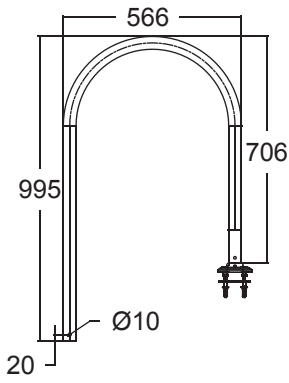
TSR SERIES



Flange Type

Flange Type

Model	Description	Code
TSR-F	AISI 304 Exit Handrail	88076005
TSR-F	AISI 316 Exit Handrail	88076010



Flange Type





BLP SERIES LADDER BOTTOM PART

Separate bottom part with various steps configuration allow great flexibility to meet the design of your pool and to match the different top part model EMAUX has to offer.

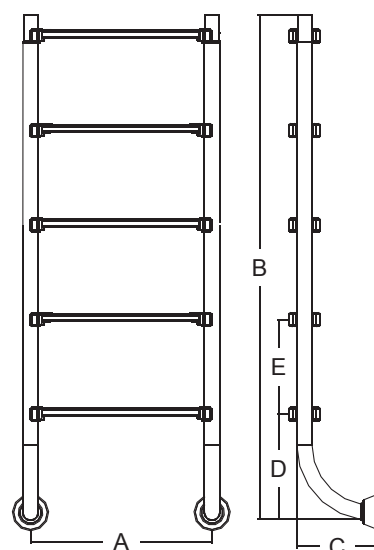
Stainless Steel Step

Code (AISI-304)	Code (AISI-316)	Model	A mm	B mm	C mm	D mm	E mm
88076201	88076206	BLP215-S	493	546	226	266	260
88076202	88076207	BLP315-S	493	806	226	266	260
88076203	88076208	BLP415-S	493	1066	226	266	260
88076204	88076209	BLP515-S	493	1326	226	266	260



Stainless Steel Step (anti-slippery pad)

Code (AISI-304)	Code (AISI-316)	Model	A mm	B mm	C mm	D mm	E mm
88076901	88076906	BLP215-SR	493	546	226	266	260
88076902	88076907	BLP315-SR	493	806	226	266	260
88076903	88076908	BLP415-SR	493	1066	226	266	260
88076904	88076909	BLP515-SR	493	1326	226	266	260



Plastic Step

Code (AISI-304)	Code (AISI-316)	Model	A mm	B mm	C mm	D mm	E mm
88076301	88076306	BLP215-P	476	546	226	266	260
88076302	88076307	BLP315-P	476	806	226	266	260
88076303	88076308	BLP415-P	476	1066	226	266	260
88076304	88076309	BLP515-P	476	1326	226	266	260



Stainless Steel Step



Stainless Steel Step (anti-slippery pad)



Plastic Step



EXIT HANDRAILS

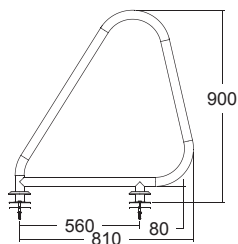
ARA Series

Polished AISI-304 or AISI-316 Stainless Steel (Φ 42mm) pipe. Both anchor and flange installations are available.



Anchor Type

Flange Type



Anchor Type

Model	Description	Code
ARA	AISI 304 Exit Handrail	88074105
ARA	AISI 316 Exit Handrail	88074110

Flange Type

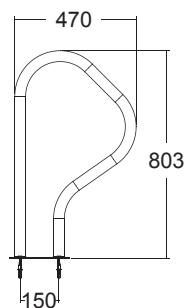
Model	Description	Code
ARA-F	AISI 304 Exit Handrail	88074005
ARA-F	AISI 316 Exit Handrail	88074010



ARB Series

Polished AISI-304 or AISI-316 Stainless Steel (Φ 42mm) pipe.

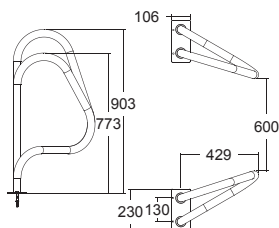
Model	Description	Code
ARB-F	AISI 304 Exit Handrail	88074205
ARB-F	AISI 316 Exit Handrail	88074210



ARC Series

Polished AISI-304 or AISI-316 Stainless Steel (Φ 42mm) pipe. Both anchor and flange installations are available.

Model	Description	Code
ARC-F	AISI 304 Exit Handrail	88074305
ARC-F	AISI 316 Exit Handrail	88074310





EXIT HANDRAILS

ARG Series

Polished AISI-304 or AISI-316 Stainless Steel (Φ 42mm) pipe. Both anchor and flange installations are available.

Anchor Type

Model	Description	Code
ARG	AISI 304 Exit Handrail	88074505
ARG	AISI 316 Exit Handrail	88074510

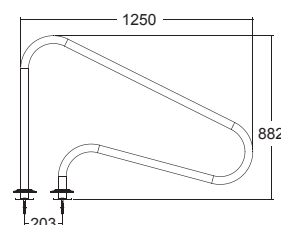
Flange Type

Model	Description	Code
ARG-F	AISI 304 Exit Handrail	88074405
ARG-F	AISI 316 Exit Handrail	88074410



Anchor Type

Flange Type



ARN Series

Polished AISI-304 or AISI-316 Stainless Steel (Φ 42mm) pipe. Both anchor and flange installations are available. Suitable for 4 steps or 5 steps of concrete step.

Anchor Type

Code (AISI-304)	Code (AISI-316)	Model	Description	L mm	A mm	B mm
88074703	88074708	ARN415	Exit Handrail - 4 Steps	1220	800	608
88074704	88074709	ARN515	Exit Handrail - 5 Steps	1524	800	855

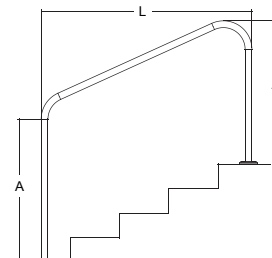


Anchor Type

Flange Type

Flange Type

Code (AISI-304)	Code (AISI-316)	Model	Description	L mm	A mm	B mm
88074603	88074608	ARN415-F	Exit Handrail - 4 Steps	1220	800	608
88074604	88074609	ARN515-F	Exit Handrail - 5 Steps	1524	800	855



ARS Series

Polished AISI-304 or AISI-316 Stainless Steel (Φ 42mm) pipe. Both anchor and flange installations are available.

Anchor Type

Model	Description	Code
ARS	AISI 304 Exit Handrail	88074905
ARS	AISI 316 Exit Handrail	88074910

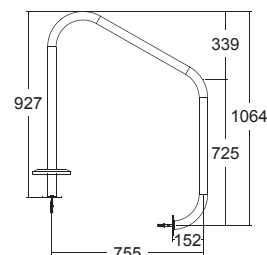
Flange Type

Model	Description	Code
ARS-F	AISI 304 Exit Handrail	88074805
ARS-F	AISI 316 Exit Handrail	88074810



Anchor Type

Flange Type





EXIT HANDRAILS

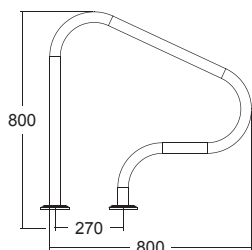
ARP Series

Polished AISI-304 or AISI-316 Stainless Steel ($\Phi 42\text{mm}$) pipe. Both anchor and flange installations are available.



Anchor Type

Flange Type



Anchor Type

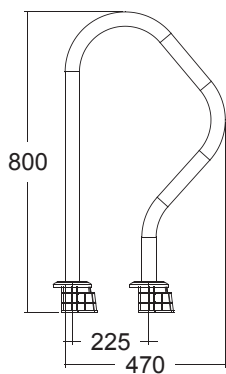
Model	Description	Code
ARP	AISI 304 Exit Handrail	88073005
ARP	AISI 316 Exit Handrail	88073010

Flange Type

Model	Description	Code
ARP-F	AISI 304 Exit Handrail	88073605
ARP-F	AISI 316 Exit Handrail	88073610

ARV Series

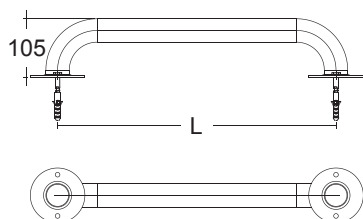
Polished AISI-304 or AISI-316 Stainless Steel ($\Phi 42\text{mm}$) pipe. Both anchor and flange installations are available.



STRAIGHT GRABRAIL

Straight

Polished Stainless Steel AISI-304 or AISI-316. Handrail length varies from 0.5m to 3.0m.



Code (AISI-304)	Code (AISI-316)	Model	Description
88076417	88076423	L050	500mm Straight Grabrail
88076418	88076424	L100	1000mm Straight Grabrail
88076419	88076425	L150	1500mm Straight Grabrail
88076420	88076426	L200	2000mm Straight Grabrail
88076421	88076427	L250	2500mm Straight Grabrail
88076422	88076428	L300	3000mm Straight Grabrail



EXIT HANDRAILS

BHK Series

Polished AISI-304 or AISI-316 Stainless Steel ($\Phi 42\text{mm}$) pipe. Both anchor and flange installations are available.

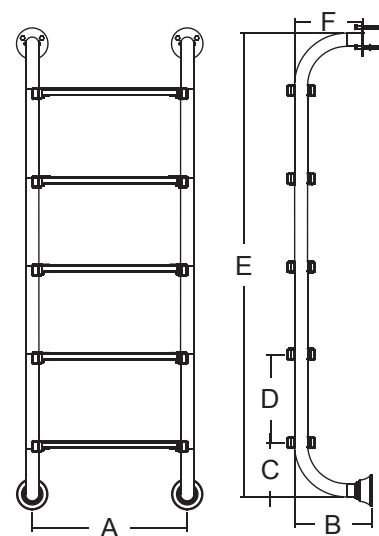
Stainless Steel Step

Code (AISI-304)	Code (AISI-316)	Model	A mm	B mm	C mm	D mm	E mm	F mm
88075001	88075006	BHK215-S	493	222	172	280	632	222
88075002	88075007	BHK315-S	493	222	172	280	912	222
88075003	88075008	BHK415-S	493	222	172	280	1192	222
88075004	88075009	BHK515-S	493	222	172	280	1472	222



Stainless Steel Step (anti-slippery pad)

Code (AISI-304)	Code (AISI-316)	Model	A mm	B mm	C mm	D mm	E mm	F mm
88077001	88077006	BHK215-SR	493	222	172	280	632	222
88077002	88077007	BHK315-SR	493	222	172	280	912	222
88077003	88077008	BHK415-SR	493	222	172	280	1192	222
88077004	88077009	BHK515-SR	493	222	172	280	1472	222



Plastic Step

Code (AISI-304)	Code (AISI-316)	Model	A mm	B mm	C mm	D mm	E mm	F mm
88075101	88075106	BHK215-P	476	222	172	280	632	222
88075102	88075107	BHK315-P	476	222	172	280	912	222
88075103	88075108	BHK415-P	476	222	172	280	1192	222
88075104	88075109	BHK515-P	476	222	172	280	1472	222



Stainless Steel Step



Stainless Steel Step
(anti-slippery pad)



Plastic Step



Flange Type



EXIT HANDRAILS

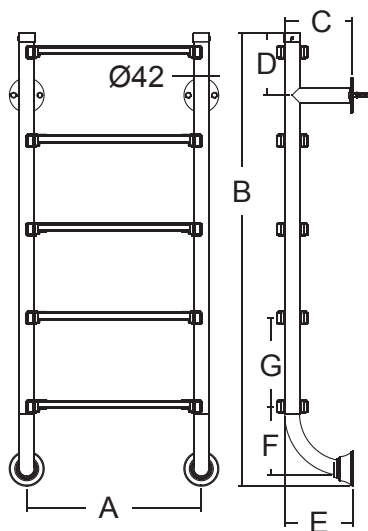
BHL Series

Polished AISI-304 or AISI-316 Stainless Steel (Φ42mm) pipe. Both anchor and flange installations are available.



Stainless Steel Step

Code (AISI-304)	Code (AISI-316)	Model	A mm	B mm	C mm	D mm	E mm	F mm	G mm
88073801	88073806	BHL215-S	493	530	190	177	190	200	250
88073802	88073807	BHL315-S	493	780	190	177	190	200	250
88073803	88073808	BHL415-S	493	1030	190	177	190	200	250
88073804	88073809	BHL515-S	493	1280	190	177	190	200	250



Stainless Steel Step (anti-slippery pad)

Code (AISI-304)	Code (AISI-316)	Model	A mm	B mm	C mm	D mm	E mm	F mm	G mm
88077101	88077106	BHL215-SR	493	530	190	177	190	200	250
88077102	88077107	BHL315-SR	493	780	190	177	190	200	250
88077103	88077108	BHL415-SR	493	1030	190	177	190	200	250
88077104	88077109	BHL515-SR	493	1280	190	177	190	200	250

Plastic Step

Code (AISI-304)	Code (AISI-316)	Model	A mm	B mm	C mm	D mm	E mm	F mm	G mm
88073901	88073906	BHL215-P	476	530	190	177	190	200	250
88073902	88073907	BHL315-P	476	780	190	177	190	200	250
88073903	88073908	BHL415-P	476	1030	190	177	190	200	250
88073904	88073909	BHL515-P	476	1280	190	177	190	200	250



Stainless Steel Step



Stainless Steel Step
(anti-slippery pad)



Plastic Step



ancillary shoring



HANDRAIL COMPONENTS

The following components are for the installation of grab rails around the edge of the pool.

Straight handrails

Polished Stainless Steel AISI-316 or AISI-304. Handrail length in 1m

	Code
With AISI-304	03016221
With AISI-316	03016220



Straight connector

Polished Stainless Steel AISI-316 or AISI-304. For joining $\Phi 42$ mm pipe.

	Code
With AISI-304	03016223
With AISI-316	03016222



Curved Connector

Polished Stainless Steel AISI-316 or AISI-304. For joining $\Phi 42$ mm pipe.

	Code
With AISI-304	03016225
With AISI-316	03016224



End Cap

Polished Stainless Steel AISI-316 or AISI-304. For the end of $\Phi 42$ mm pipe.

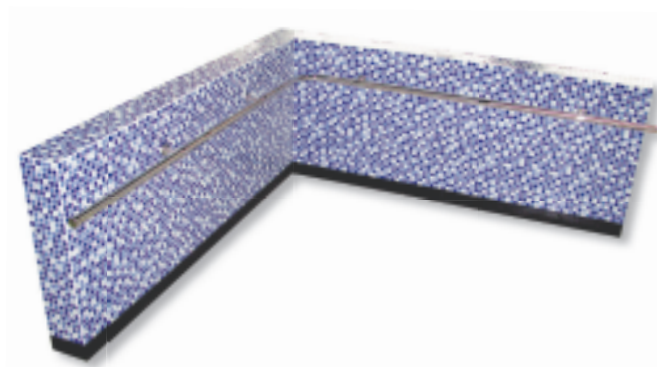
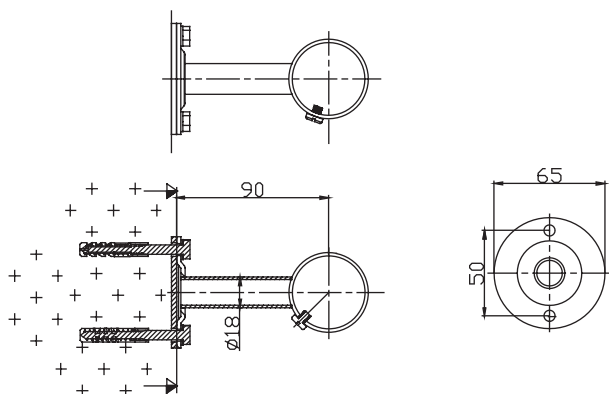
	Code
With AISI-304	03016227
With AISI-316	03016226



Straight bracket with base plate

Polished Stainless Steel AISI-316 or AISI-304. Applicable for both concrete pool and vinyl pool.

	Code
With AISI-304	08070002
With AISI-316	08070001



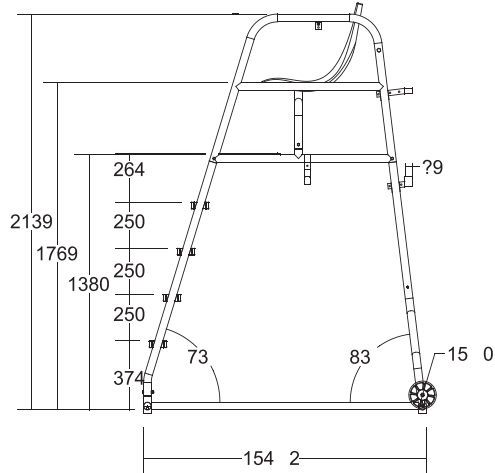
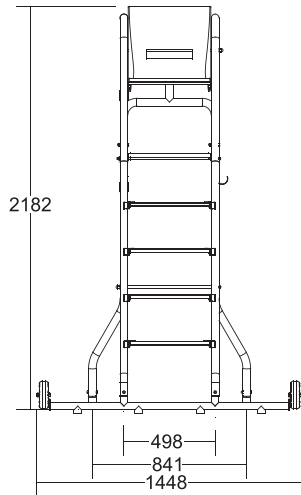


LIFEGUARD CHAIR

SS304 diameter $\Phi 42$ mm steel pipe manufacturing. The detachable chair with fiber glass manufacturing. The lifeguard chair comes with lifebuoy bracket and bell holder, base wheels and stainless steel pedals.



Model	Description	Code
LGC10-S	AISI 304 Stainless Steel Step	88510101



Available from:



www.emaux.com.au

Waterpark & Aquarium / Competition Pool / Residential Pool / Commercial Pool / Water Treatment / Water Feature

All specification are subject to change without notice © Copyright 2013 Emaux Swimming Pool Equipment Co., Ltd