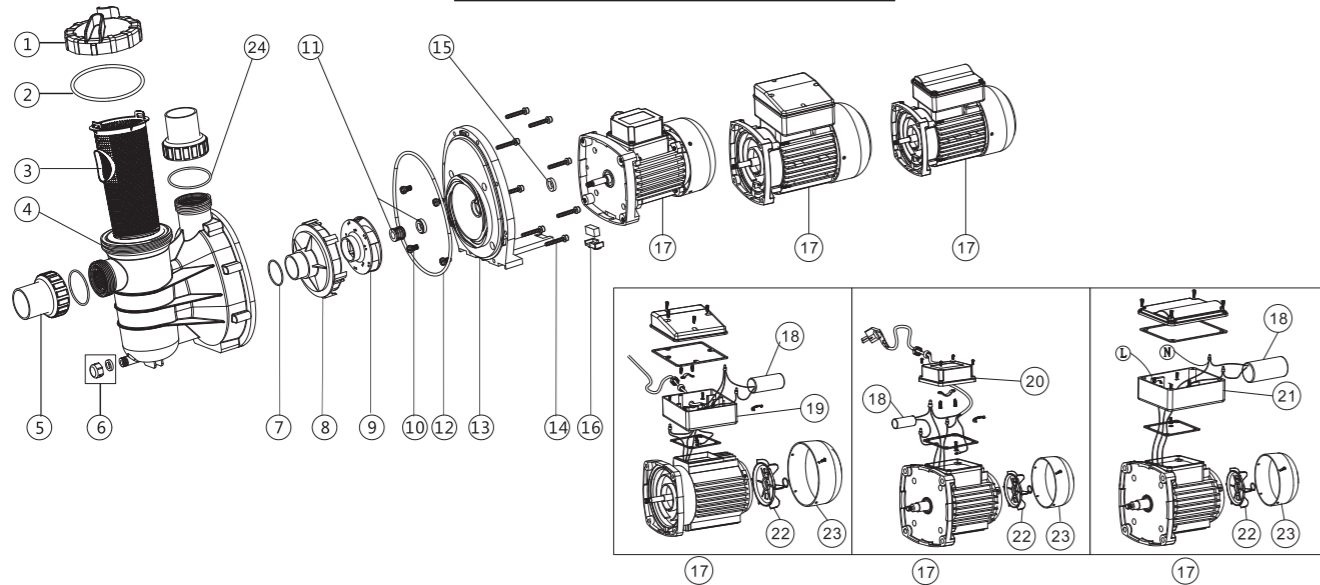
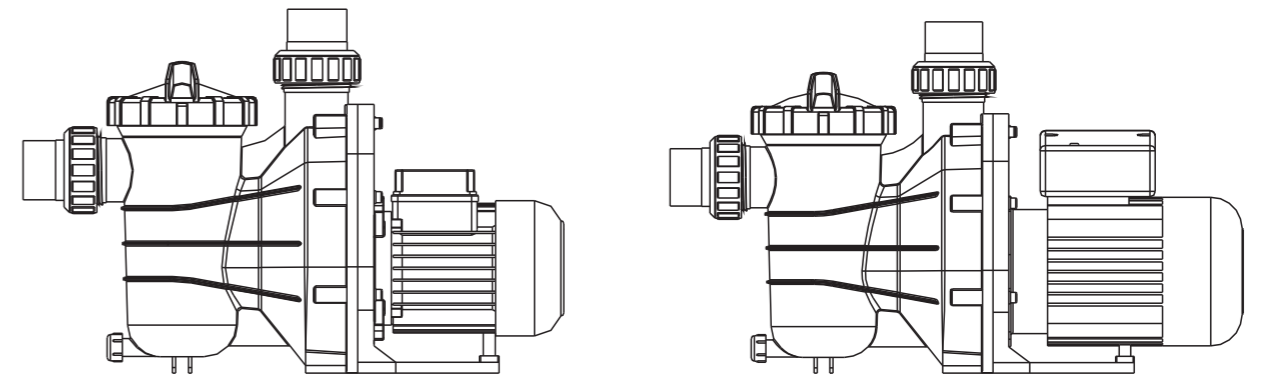


PUMP PARTS FOR SS



Key No.	Part No.	Product Description	Qty	Key No.	Part No.	Product Description	Qty
1	01201031	Transparent Lid	1	17	89022110	Motor SS033(220V/50HZ)	1
2	02011074	O-Ring for lid	1		89022105	Motor SS050(220V/50HZ)	1
3	01112051	Basket	1		89022106	Motor SS075(220V/50HZ)	1
4	01021064	SS Pump Pre-filter	1		89022107	Motor SS100(220V/50HZ)	1
5	89280105	1.5" union	2		89022108	Motor SS120(220V/50HZ)	1
6	89022402	Drain Plug With O'ring	1		89022201	Motor SS020(220V/60HZ)	1
7	02011004	O-Ring for diffuser	1		89022202	Motor SS033(220V/60HZ)	1
8	01111014	Diffuser	1		89022203	Motor SS050(220V/60HZ)	1
9	01311015	Impeller SS020(220V/50HZ)	1		89022204	Motor SS075(220V/60HZ)	1
	01311016	Impeller SS033(220V/50HZ)	1		89022205	Motor SS100(220V/60HZ)	1
	01311017	Impeller SS050(220V/50HZ)	1		89022206	Motor SS120(220V/60HZ)	1
	01311018	Impeller SS075(220V/50HZ)	1		89022305	Motor SS020(110V/60HZ)	1
	01311019	Impeller SS100(220V/50HZ)	1		89022306	Motor SS033(110V/60HZ)	1
	01311014	Impeller SS120(220V/50HZ)	1		89022301	Motor SS050(110V/60HZ)	1
	01311023	Impeller SS020(220V/60HZ)	1		89022302	Motor SS075(110V/60HZ)	1
	01311024	Impeller SS033(220V/60HZ)	1		89022303	Motor SS100(110V/60HZ)	1
	01311015	Impeller SS050(220V/60HZ)	1		89022304	Motor SS120(110V/60HZ)	1
	01311016	Impeller SS075(220V/60HZ)	1	18	04016028	Capacitor for SS050 Pump	1
	01311017	Impeller SS100(220V/60HZ)	1		04016019	Capacitor for SS075 Pump	1
	01311018	Impeller SS120(220V/60HZ)	1		04016021	Capacitor for SS100 Pump	1
01311023	Impeller SS020(110V/60HZ)	1		04016009	Capacitor for SS050 Pump	1	
01311024	Impeller SS033(110V/60HZ)	1		04016010	Capacitor for SS075 Pump	1	
01311015	Impeller SS050(110V/60HZ)	1		04016012	Capacitor for SS100,	1	
01311016	Impeller SS075(110V/60HZ)	1		04016032	Capacitor for SS020 Pump	1	
01311017	Impeller SS100(110V/60HZ)	1		04016033	Capacitor for SS033 Pump	1	
01311018	Impeller SS120(110V/60HZ)	1		04016030	Capacitor for SS020 Pump	1	
					04016031	Capacitor for SS033 Pump	1
10	89022403	M8*16 Screw with washer	4	19	89022112	Cable Box for SS050-SS120 Pump	1
11	04015033	1/2" Mechanical seal	1	20	89022111	Cable Box for SS020-SS033 Pump	1
12	02011090	O-Ring for Flange	1	21	89021505	Cable Box for SS050-SS075 Pump	1
13	01021065	SS Pump Flange	1	22	01031027	Cooling fan for SS050-SS120 Pump	1
14	03011035	M6*30 Screw	8		01031026	Cooling fan for SS020-SS033 Pump	1
15	02011156	Motor Slinger for SS020;SS033	1	23	01031011	Fan Cover for SS020-SS033 Pump	1
15	02011153	Motor Slinger for SS050-SS120	1		01031010	Fan Cover for SS050-SS120 Pump	1
16	89022404	Motor support	1	24	02011104	O-Ring	2
17	89022109	Motor SS020(220V/50HZ)	1				

**SS Pool & Spa Pump
Installation & Operating Instructions**



INSTALLATION

Only qualified, licensed personnel should install pump and wiring.

IMPORTANT ELECTRICAL

Electrical Contractors Please Note: EMAUX pumps must be wired to the main power supply through an approved and correctly rated contactor.

Pump Mount Must:

- ❖ Be solid Level Rigid Vibration Free.
- ❖ Allow use of short, direct suction pipe. (To reduce friction losses & don't install the pump at more than 3M geometrical height from water level)
- ❖ Allow for gate valves in suction and discharge piping.
- ❖ Have adequate floor drainage to prevent flooding.
- ❖ Be protected from excess moisture.
- ❖ All adequate access for servicing pump and piping.

NOTICE:

Pump suction and discharge connections have moulded in thread stops, **DO NOT** try to screw pipe in beyond these stops.

OPERATION

▲ **NEVER** run pump dry! Running pump dry may damage seals, causing leakage and flooding! Fill pump with water before starting motor.

▲ Before removing lid:
STOP PUMP before proceeding.
CLOSE GATE VALVES in suction and discharge pipes.
RELEASE ALL PRESSURE from pump and piping system.
NEVER tighten or loosen screws while pump is operation.

▲ Do not block pump suction! To do so with body may cause severe or fatal injury. Children using pool must **ALWAYS** have close adult supervision!

Priming Pump:

- ❖ Release all air from filter and piping system: see filter owner manual.
- ❖ In a flooded suction system (water source higher than pump), pump will prime itself when suction and discharge valves are opened.
- ❖ If pump is not in a flooded suction system, unscrew and remove trap cover; fill trap and pump with water.
- ❖ Clean and inspect Ring; re-install on trap cover.
- ❖ Replace trap cover on trap; turn clockwise to tighten cover.

NOTICE: Tighten trap cover by hand only.

Pump should prime now. Priming time will depend on vertical length of suction lift and horizontal length of suction piping.

ROUTINE MAINTENANCE

The only routine maintenance needed is inspection/cleaning of trap basket. Debris or trash that collects in basket, will choke off water flow through the pump. Follow instructions below to clean trap:

- 1) Stop pump, close gate valve in suction and discharge, and release all pressure from system before proceeding.
- 2) Unscrew trap lid (turn counterclockwise).
- 3) Remove strainer basket and clean. Be sure all holes in basket are clear, flush basket with water and replace in trap with large opening at pipe connection port (between ribs provided). If basket is replaced backwards cover will not fit on trap body.
- 4) Clean and inspect lid Ring; reinstall on trap cover.
- 5) Clean Ring groove on trap body and Replace lid. To help keep lid from sticking, tighten hand tight only.
- 6) Prime pump (see priming instructions above)



SERVICE & REPAIR PARTS

Refer all service to your local agent or dealer as his knowledge of your equipment makes him the best qualified source of information. Order all repair parts through your dealer. Give the following information when ordering repair parts:

- 1) Unit nameplate data or serial number on label.
- 2) Description of part.

TROUBLE SHOOTING

MOTOR DOES NOT START

- 1) Disconnect switch or circuit breaker in off position
- 2) Fuses blown or thermal overload open
- 3) Locked motor shaft
- 4) Motor windings burned out
- 5) Defective starting switch inside single phase motor
- 6) Disconnected or defective wiring
- 7) Low voltage

PUMP DOES NOT REACH FULL SPEED

- 1) Low voltage
- 2) Pump connected for wrong voltage

MOTOR OVERHEATS (protector trips)

- 1) Low voltage
- 2) Motor windings connected for wrong voltage on dual voltage model
- 3) Inadequate ventilation

PUMP DELIVERS NO WATER

- 1) Pump is not primed
- 2) Closed valve in suction or discharge line
- 3) Leakage or air into suction system
- 4) Impeller clogged

LEAKAGE OF WATER AT SHAFT

- 1) Shaft seal requires replacement

LOW PUMP CAPACITY

- 1) Valve in suction or discharge line partly closed
- 2) Suction or discharge line partly plugged
- 3) Suction or discharge line too small
- 4) Plugged basket in skimmer or hair and lint strainer
- 5) Dirty filter
- 6) Impeller clogged

HIGH PUMP PRESSURE

- 1) Discharge valve or inlet fittings closed too much
- 2) Return lines too small
- 3) Dirty filters

NOISY PUMP AND MOTOR

- 1) Plugged basket in skimmer or hair in lint strainer
- 2) Worn motor bearings
- 3) Valve in suction line partly closed
- 4) Suction line partly plugged
- 5) Vacuum hose plugged or too small
- 6) Pump not supported properly

AIR BUBBLES AT INLET FITTINGS

- 1) Leakage of air into suction line at connections or valve stem
- 2) Cover gasket of hair and lint strainer needs cleaning
- 3) Low water level in pool

NOTE: If the recommendations in the trouble shooting portion of this manual do not solve your particular problem(s), please contact your local dealer for service.