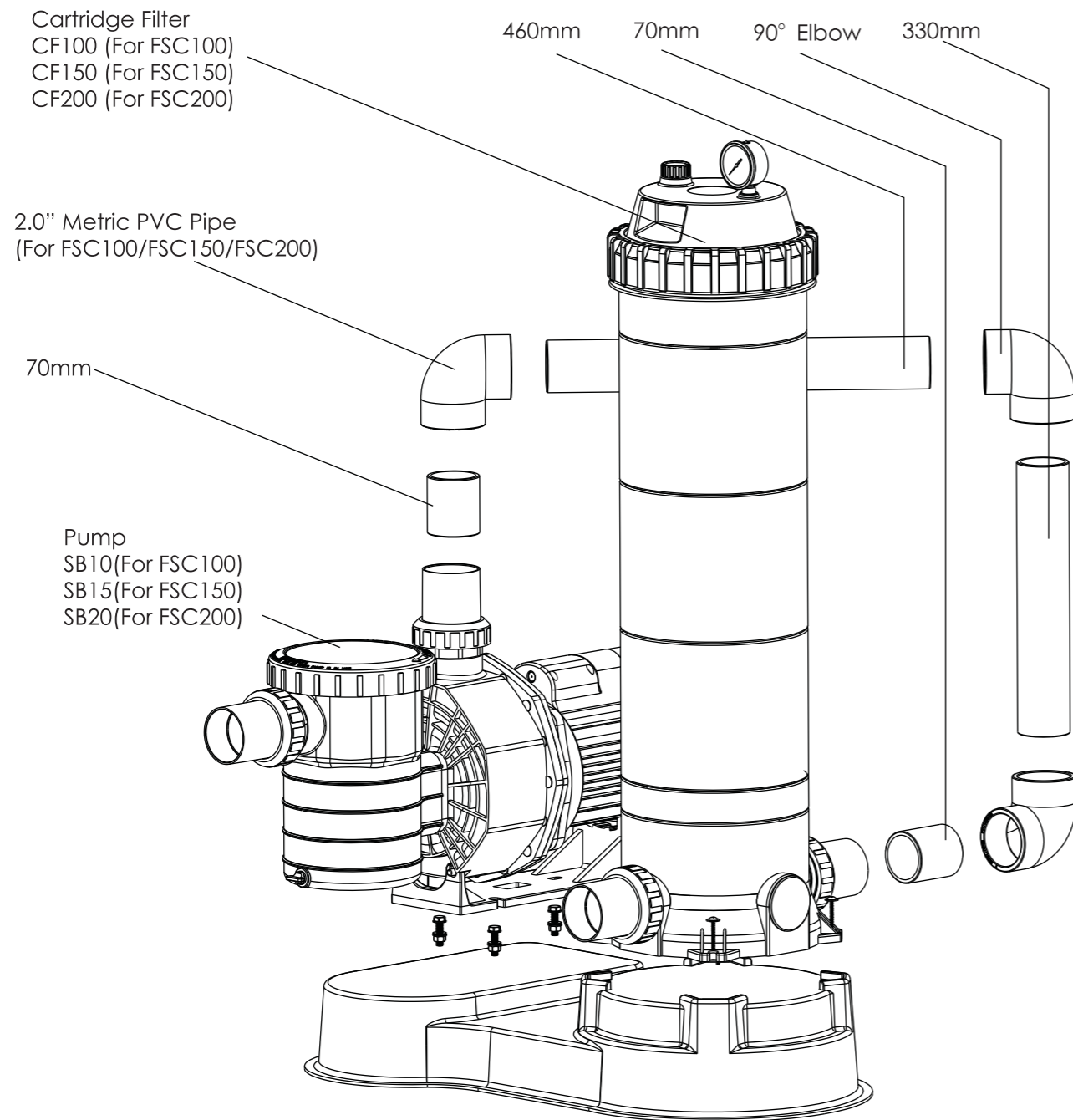


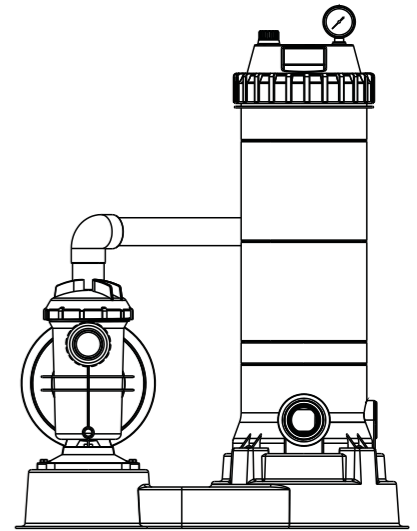
FSC100, FSC150, FSC200 INSTALLATION DRAWING



www.emauxgroup.com

Installation Manual For the Cartridge Filtration Combo

**Models: FSC025 / FSC050 / FSC075 /
FSC100 / FSC150 / FSC200**

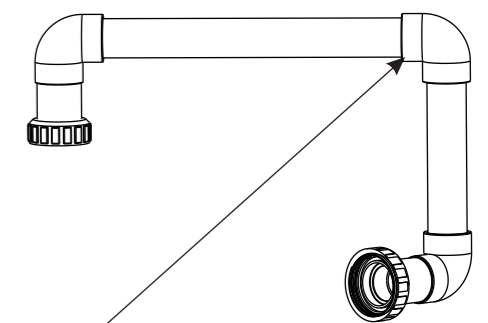


The filtration combo was packed in three carton boxes,
1) Cartridge filter;
2) Pump;
3) Mounting base and the pipes

To install this filter system, you will need the following simple tools a screwdriver, 13mm wrench and PVC pipe sealant

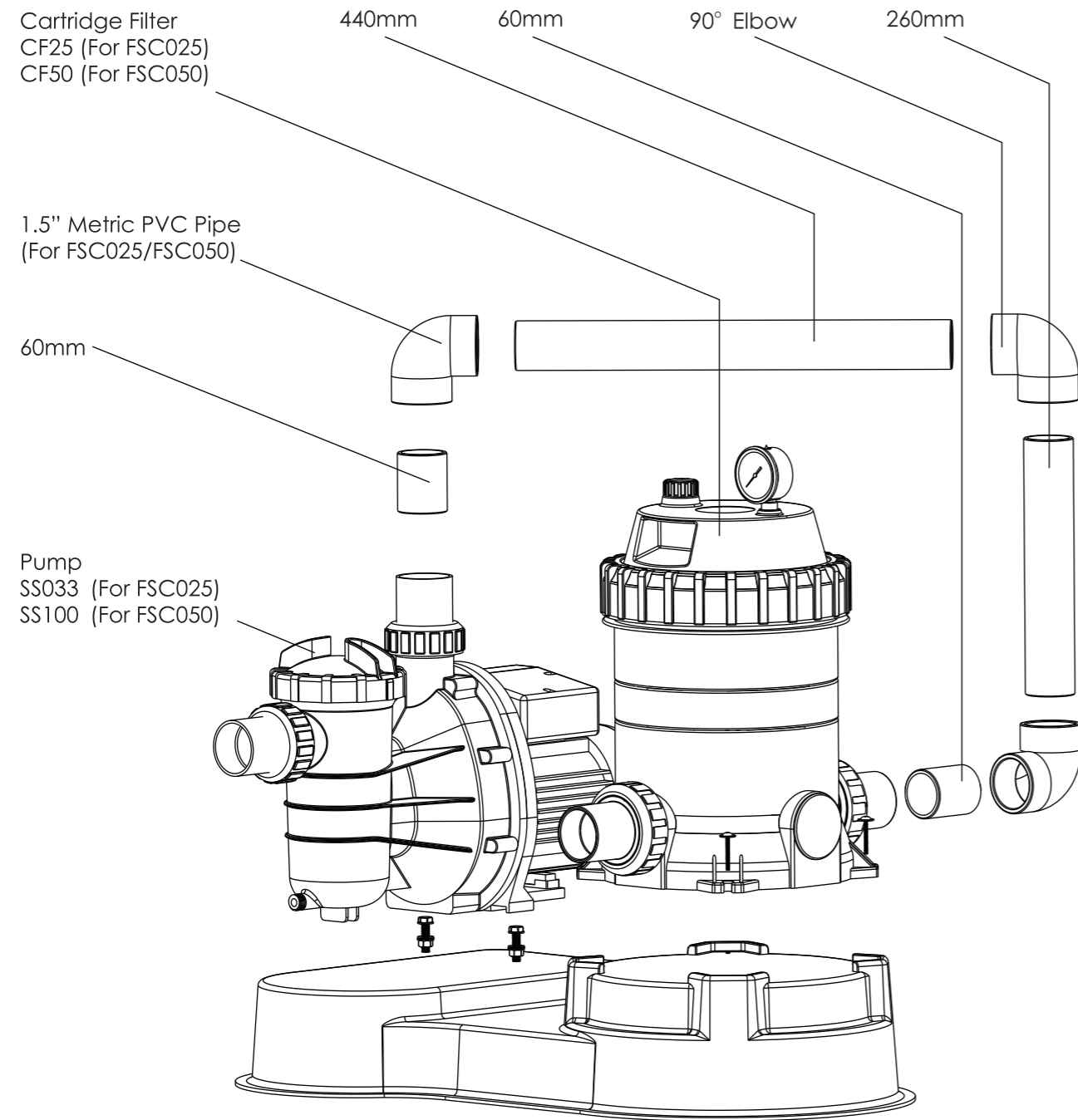
YOUR EMAUX CARTRIDGE FILTER

- 1) Carefully remove the equipment from the carton and check for any evidence of damage due to rough handling or shipping. If any of the equipment is damaged, immediately notify the organization where the equipment was purchased.
- 2) This filtration combo should be mounted on a level concrete slab, preferable concrete poured in a form or on a platform constructed of concrete block or brick.
- 3) Position the cartridge filter on the mounting base so that the filter outlet and the pump inlet should be pointed to the same direction. Secure the filter to the base with four (4) M4 screws.
- 4) Place the pump on the mounting base with the lint pot (or pre-filter bucket) is oriented at the round side of the mounting base, see the installation drawing in page 2 to page 4 for detail. Secure the pump to the base with two (2) , three (3) or four (4) M8 bolts provided.
- 5) Remove the union/nut from the cartridge inlet and pump outlet.
- 6) Apply PVC pipe sealant (not included) in the pipe junction and connect the pipe and union/nut together as shown in the installation drawing in page 2 to page 4. Make sure the pipes are connected such that it would join the pump outlet and cartridge inlet together
- 7) Connect the filter inlet and pump outlet with the pipe connected in step 6. Make sure the o-ring is in the proper position in the union. Tighten the nut to make the connection is secured



Connected Pipe
(Apply PVC pipe sealant in all the junctions)

FSC025, FSC050 INSTALLATION DRAWING



FSC075 INSTALLATION DRAWING

