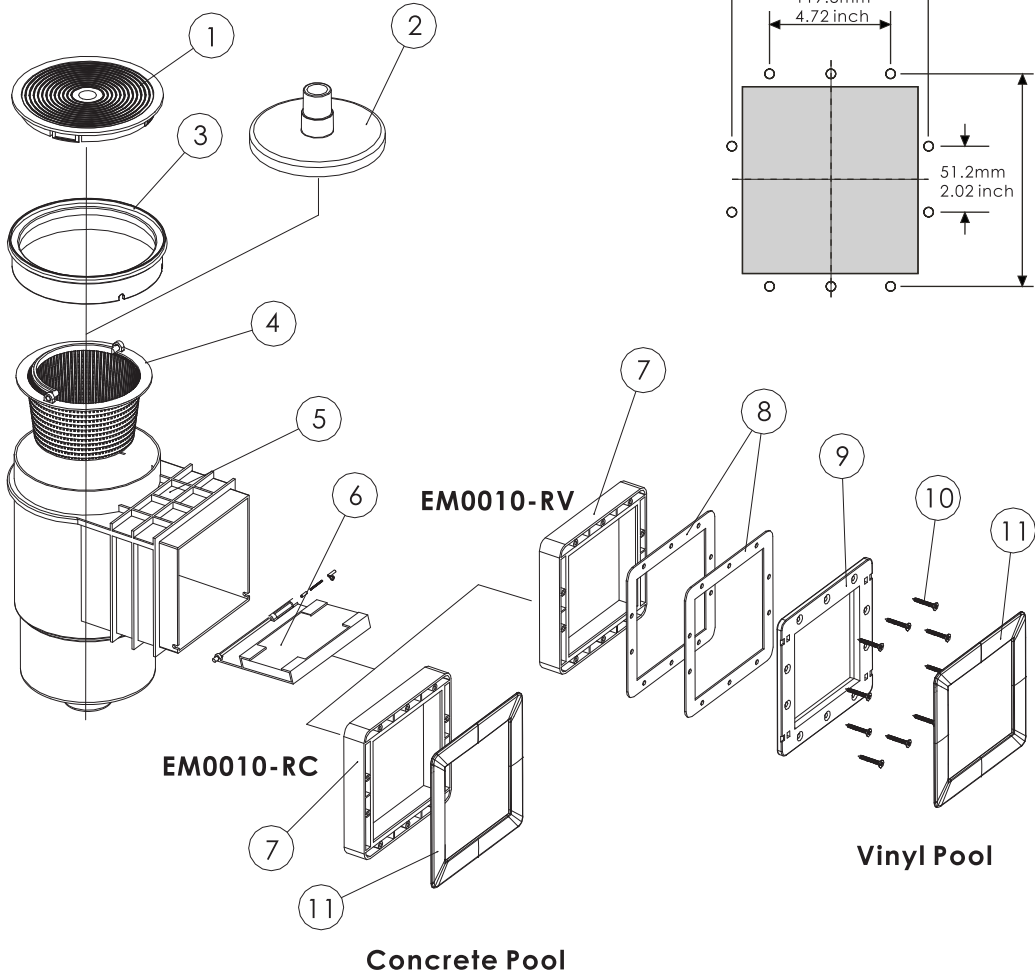
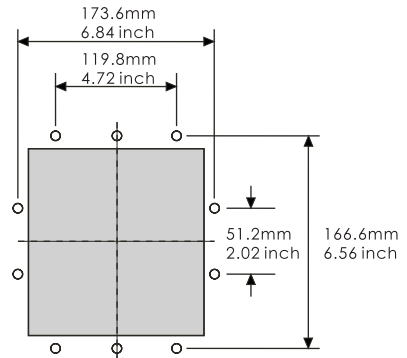
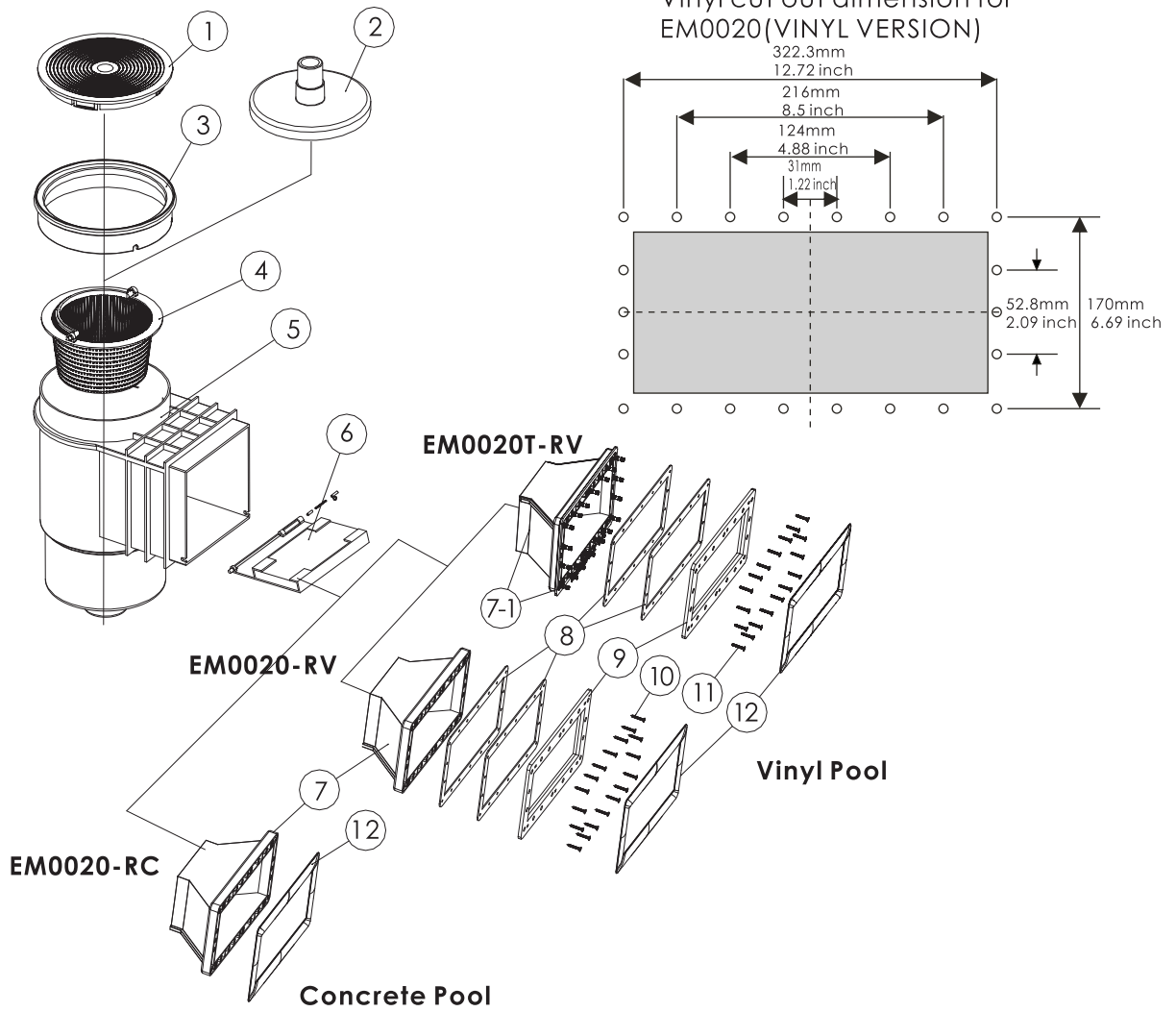


Vinyl cut out dimension for EM0010(VINYL VERSION)



Key No.	Part No.	Description	Qty
1	01051050	Cover / Lid	1
2	01051041	Vac Plate	1
3	01051040	Ring Seat Only	1
4	89150101	Basket with Plastic Handle	1
5	01051042	EM0010 & EM0020 Skimmers main Body A	1
6	89150102	Weir Door	1
7	01051047	Standard Skimmer Body B	1
8	02021042	Gasket for EM0010 Skimmer for Vinyl Pool	2
9	01051048	Frame for EM0010 Skimmer for Vinyl Pool	1
10	03011300	M5.5 X 35 AISI316 Screws for Vinyl Pool	10
11	01051049	EM0010 Standard Skimmer Face Plate	1



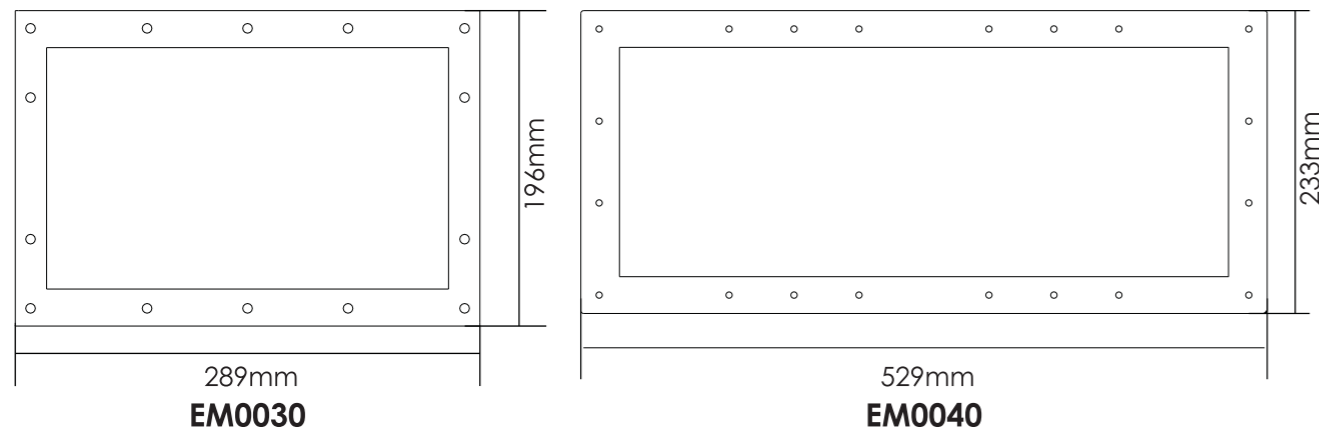
Key No.	Part No.	Description	Qty
1	01051050	Cover / Lid	1
2	01051041	Vac Plate	1
3	01051040	Ring Seat Only	1
4	89150101	Basket with Plastic Handle	1
5	01051042	EM0010 & EM0020 Skimmers main Body A	1
6	89150102	Weir Door	1
7	01051044	EM0020 Skimmers Body B	1
7-1	01050215	EM0020T-RV Skimmers Body B	1
8	02051005	Gasket for EM0020 Skimmer for Vinyl Pool	2
9	01051045	Frame for EM0020 Skimmer for Vinyl Pool	1
10	03012121	M5 x 35 AISI316 Screws for Vinyl Pool	18
11	03012108	M5 x 30 AISI316 Screws for Vinyl Pool	18
12	01051046	Skimmer Face Plate	1

Installation details.

- ◆ Skimmer box to be mounted horizontally
- ◆ Use the template sheet provided to drill or punch the holes required on pool wall.
- ◆ For the convenience of installation, use the double sided tape to hold the gasket in place on the pool wall surface, make sure the holes are aligned.
- ◆ Ensure fascia gasket is secured with stainless steel screws (supplied) and sealant applied around opening to ensure it is water tight.
- ◆ Pack sand or material around skimmer box during pool installation, care must be taken when using heavy machinery. Secure pipework with back fill as needed.
- ◆ Install as per latest Standard of the local authority.

Specifications

Model No.	Max. Surface Area	Basket Capacity	Suction Port	Overflow Port
EM0030	0.08319 m ²	4.26L	40mm / 50mm	25mm
EM0040	0.0375 m ²	4.26L	40mm / 50mm	25mm



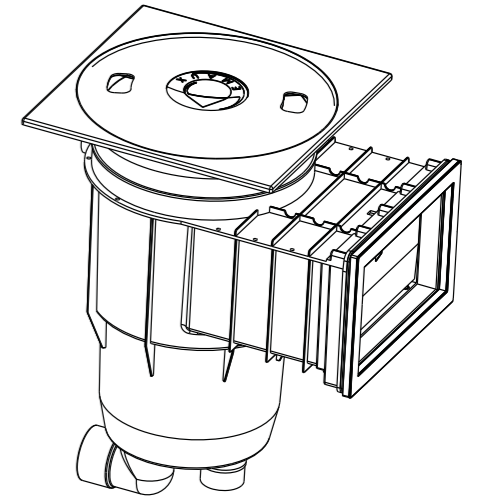
Use the doubled side tape to fix the gasket to the pool wall.



www.emauxgroup.com

Emaux Standard Wall Skimmer Box. EM0030

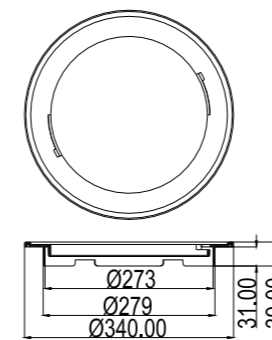
- ◆ Made of ABS thermoplastic, UV coated to give excellent strength and durability, the Emaux standard wall skimmer boxes are suitable for all types of domestic swimming pool installations. Each unit has in-built overflow port, and high capacity basket
- ◆ Outlet port is 50mm with 40mm knockout available.
- ◆ Each Standard Wall Skimmer Box comes with lid, weir door Extension Ring and vacuum plate.
- ◆ Basket & Vacuum plate neatly secured simply by rotating parts into place.
- ◆ Option of round or square dress ring to complement the installation.



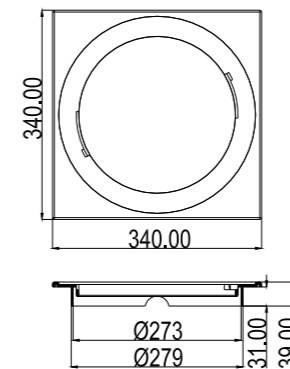
Optional Parts.

- ◆ Round Dress Ring
- ◆ Square Dress Ring

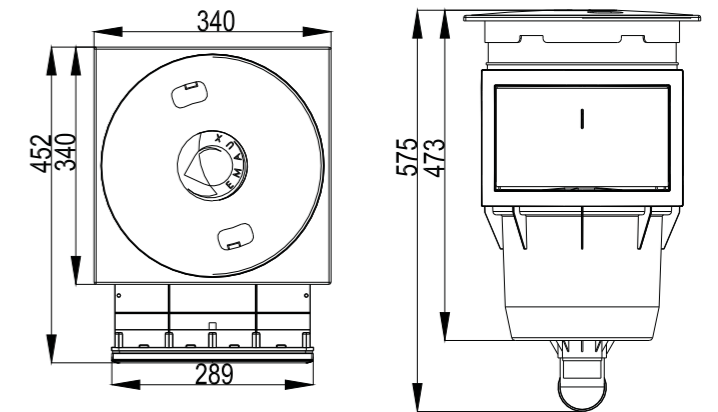
Round Dress Ring



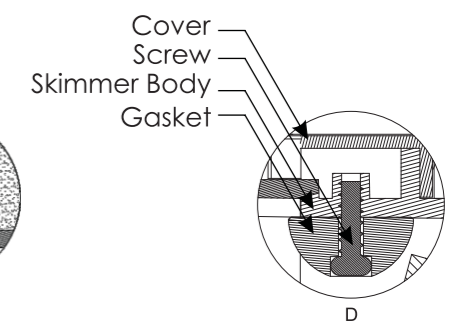
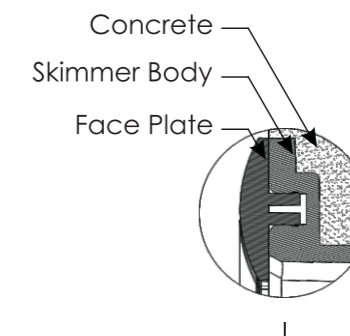
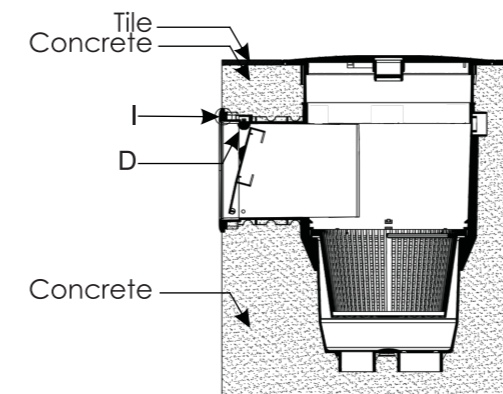
Square Dress Ring



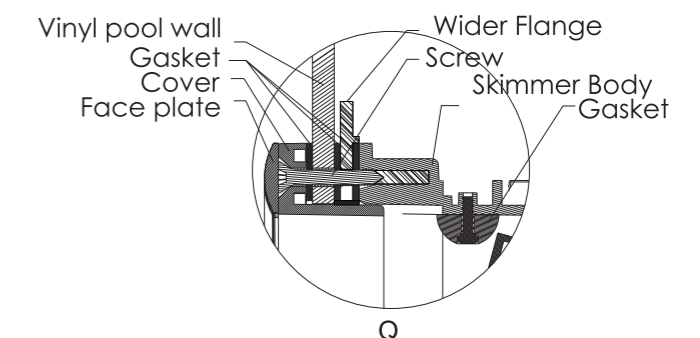
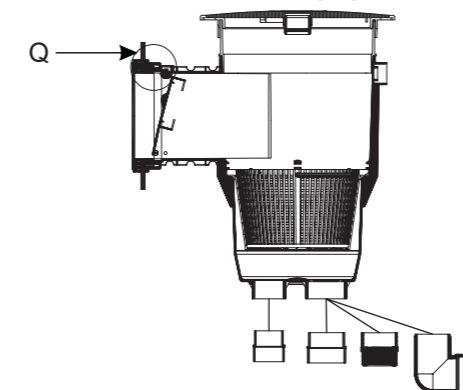
Dimensions



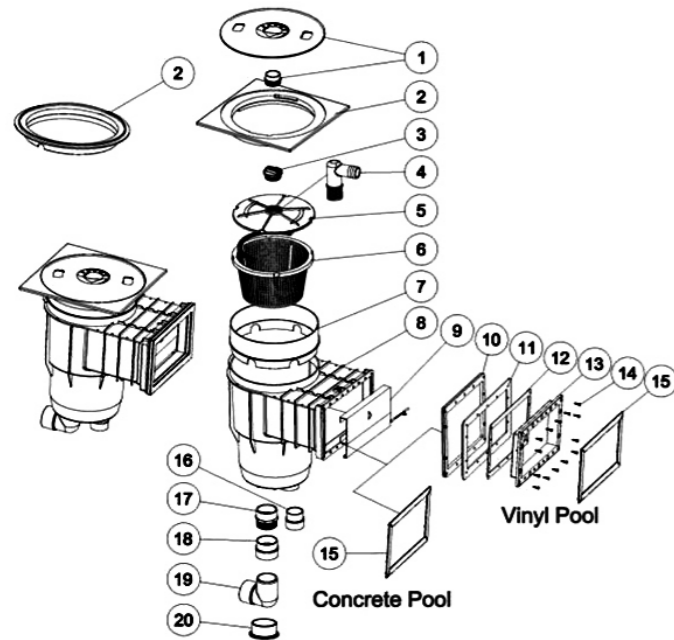
Installation in a tiled pool



Installation in a vinyl pool

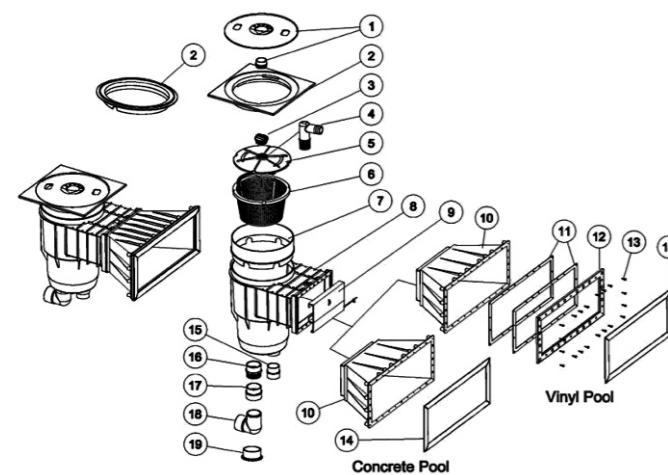


Layout showing available parts for EM0030.



Key No.	Part No.	Description	Qty
1	89150509	Lid (Blank)	1
1	89150509	Lid (Emaux)	1
2	01211035	Round Dress Ring	1
2	01211036	Square Dress Ring	1
3	01051023	1.5" Plug	1
4	01050007	90° Vacuum Hose Connector	1
5	01051180	Vacuum Plate	1
6	89150501	Basket with Plastic Handle	1
7	01050004	Extension Ring	1
8	89150503	EM0030 & EM0040 Skimmers Body	1
9	89150502	Weir Door	1
10	02021077	Gasket	1
11	01051238	Wider flange	1
12	02020021	Gasket for EM0030 Skimmer	1
13	01051184	Frame for EM0030 Skimmer	1
14	03011342	M5.5 x 42 AISI316 Screws	14
15	01051185	EM0030/EM0050 Standard Skimmer Face Plate	1
16	01170009	1.5" Union Converter (from Metric to Imperial)	1
17	01170007	2.0" Threaded Union	1
18	01170008	2.0" Union Converter (from Metric to Imperial)	1
19	01170023	2.0" Elbow Union	1
20	01013123	2.0" Plug	1

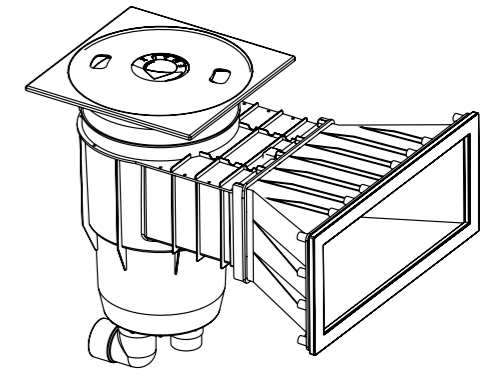
Layout showing available parts for EM0040.



Key No.	Part No.	Description	Qty
1	89150509	Lid (Blank)	1
1	89150509	Lid (Emaux)	1
2	01211035	Round Dress Ring	1
2	01211036	Square Dress Ring	1
3	01051023	1.5" Plug	1
4	01050007	90° Vacuum Hose Connector	1
5	01051180	Vacuum Plate	1
6	89150501	Basket with Plastic Handle	1
7	01050004	Extension Ring	1
8	89150503	EM0030 & EM0040 Skimmers Body	1
9	89150502	Weir Door	1
10	01051183	EM0040 Wide Mouth Extension	1
11	02020022	Gasket for EM0040 Skimmer	2
12	01051187	Frame for EM0040 Skimmer	1
13	03011300	M5.5 x 35 AISI316 Screws	20
14	01051188	EM0040 Standard Skimmer Face Plate	1
15	01170009	1.5" Union Converter (from Metric to Imperial)	1
16	01170007	2.0" Threaded Union	1
17	01170008	2.0" Union Converter (from Metric to Imperial)	1
18	01170023	2.0" Elbow Union	1
19	01013123	2.0" Plug	1

Emaux Wide Mouth Wall Skimmer Box. EM0040

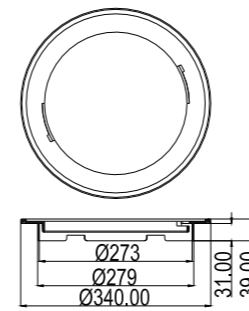
- ◆ Made of ABS thermoplastic, UV coated to give excellent strength and durability, the Emaux Wide Mouth wall skimmer boxes are suitable for all types of domestic swimming pool installations. Each unit has in-built overflow port, and high capacity basket.
- ◆ Outlet port is 50mm with 40mm knockout available.
- ◆ Each Wide Mouth Wall Skimmer Box comes with lid, weir door Extension Ring and vacuum plate.
- ◆ Basket & Vacuum plate neatly secured simply by rotating parts into place.
- ◆ Option of round or square dress ring to complement the installation.



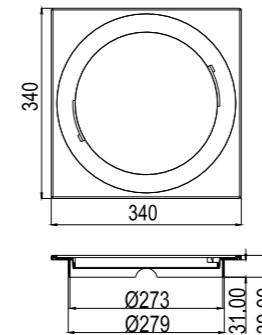
Optional Parts.

- ◆ Round Dress Ring
- ◆ Square Dress Ring

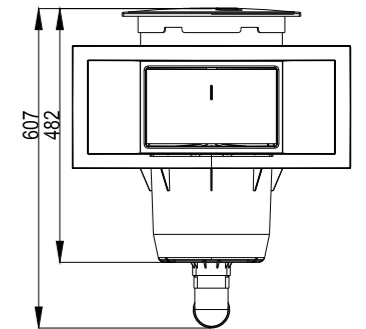
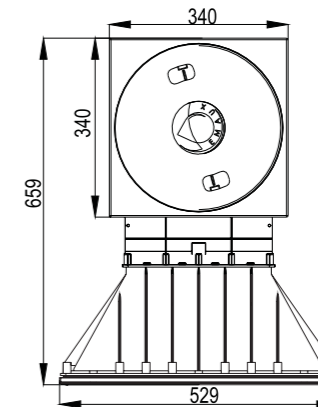
Round Dress Ring



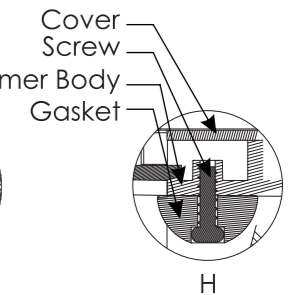
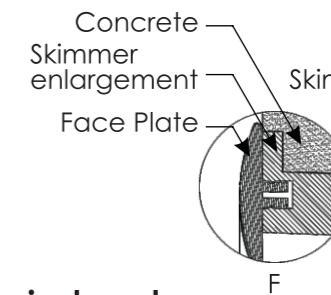
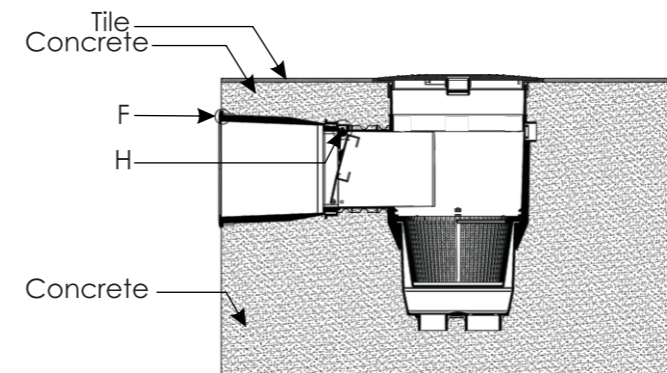
Square Dress Ring



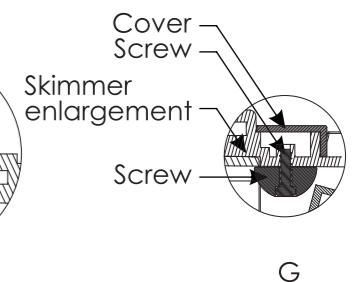
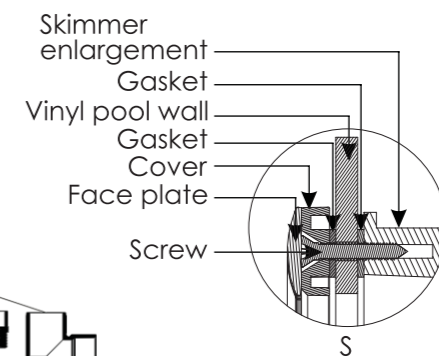
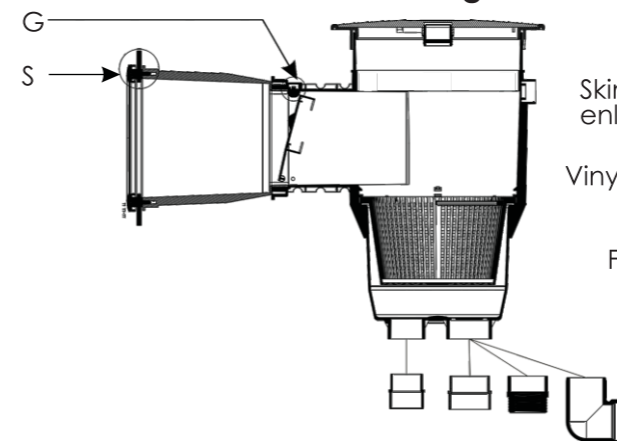
Dimensions



Installation of the skimmer enlargement in a tiled pool

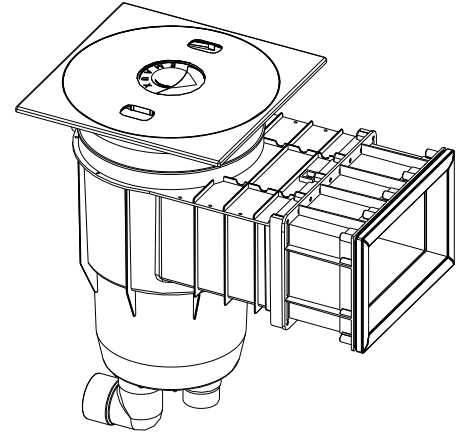


Installation of the skimmer enlargement in a vinyl pool



Emaux Standard Wall Skimmer Box. EM0050

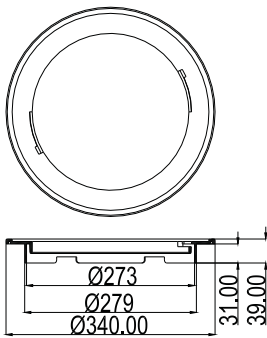
- ◆ Made of ABS thermoplastic, UV coated to give excellent strength and durability, the Emaux standard wall skimmer boxes are suitable for all types of domestic swimming pool installations. Each unit has in-build overflow port, and high capacity basket.
- ◆ Outlet port is 50mm with 40mm knockout available.
- ◆ Each Standard Wall Skimmer Box comes with lid, weir door Extension Ring and vacuum plate.
- ◆ Basket & Vacuum plate neatly secured simply by rotating parts into place.
- ◆ Option of round or square dress ring to complement the installation.



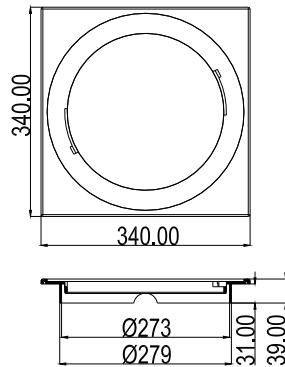
Optional Parts.

- ◆ Round Dress Ring
- ◆ Square Dress Ring

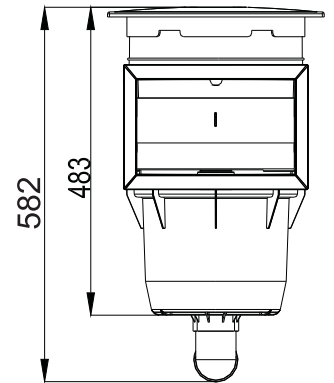
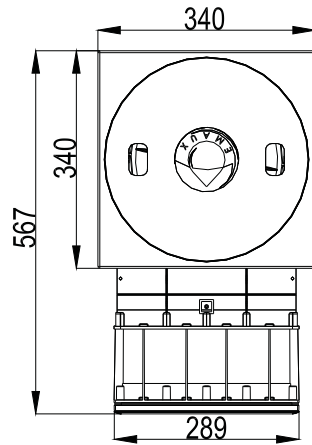
Round Dress Ring



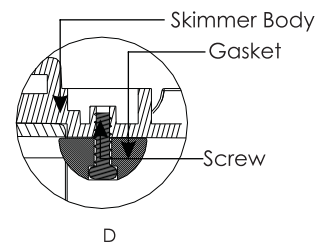
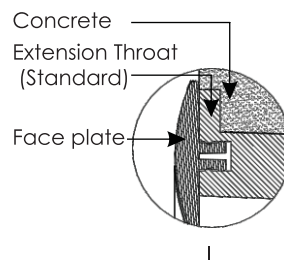
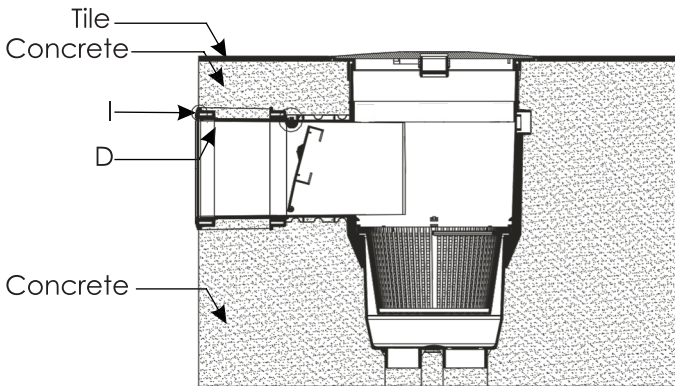
Square Dress Ring



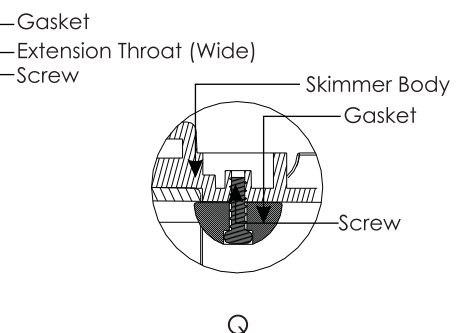
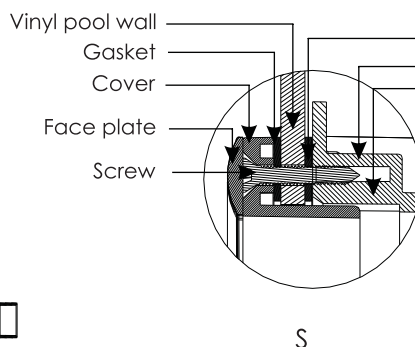
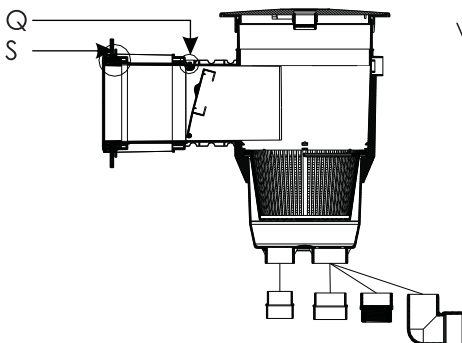
Dimensions



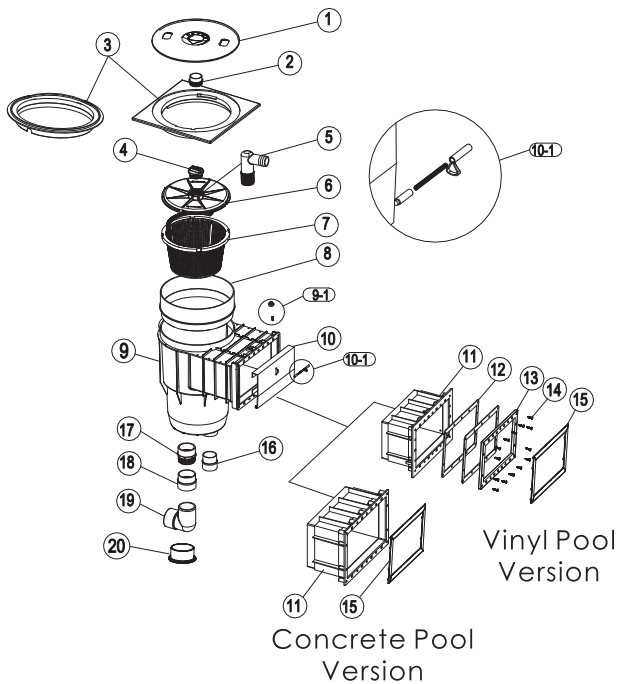
Installation in a tiled pool



Installation in a vinyl pool



Layout showing available parts for EM0050.



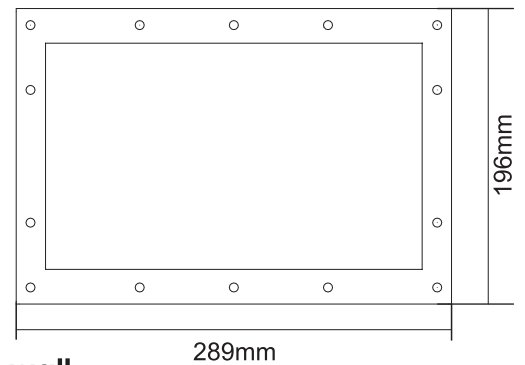
Key NO.	Part NO.	Product Description	QTY
1	01211034	Lid	1
2	01050009	Plug for Lid	1
3	01211035	Round Dress Ring	1
	01211036	Square Dress Ring	1
4	01051023	1.5" Plug	1
5	01050007	Vacuum Hose Connector	1
6	01051180	Vacuum Plate	1
7	89150501	Basket With Plastic Handle	1
8	01050004	Height Extension	1
9	89150503	EM0030 & EM0040 & EM0050 Skimmers Body	1
9-1	89150504	Door stopper with screw	1
10	89150502	Weir Door	1
10-1	89150505	Lock & Spring & Pin	1
11	01050023	Extension Throat (Wide)	1
	01050032	Extension Throat (Standard)	1
12	02020021	Gasket for EM0030 EM0050 Skimmer	1
13	01051184	Frame for EM0030 EM0050 Skimmer	1
14	03011300	M5.5*35 SS#316 Screws	1
15	01051185	EM0030 Standard Skimmer Face Plate	1
16	01170009	1.5" Union Convertor (from Metric to Imperial)	1
17	01170007	2.0" Threaded Union	1
18	01170008	2.0" Union Convertor (from Metric to Imperial)	1
19	01170023	2.0" Elbow Union	1
20	01013123	2.0" Plug	1

Installation details.

- ◆ Skimmer box to be mounted horizontally
- ◆ Use the template sheet provided to drill or punch the holes required on pool wall
- ◆ For the convenience of installation, use the double sided tape to hold the gasket in place on the pool wall surface, make sure the holes are aligned.
- ◆ Ensure fascia gasket is secured with stainless steel screws (supplied) and sealant applied around opening to ensure it is water tight.
- ◆ Pack sand or material around skimmer box during pool installation, care must be taken when using heavy machinery. Secure pipework with back fill as needed.
- ◆ Install as per latest Standard of the local authority.

Specifications

Model No.	Overall Height	Depth	Weight
EM0050	582mm	483mm	5.11kg / 4.69kg



Use the doubled side tape to fix the gasket to the pool wall.

